

# Vacuum/pressure switch teachfunction

## VS-V-AV-T-PNP M8-4 S

Part no.:10.06.02.00292

<https://www.schmalz.com/10.06.02.00292>

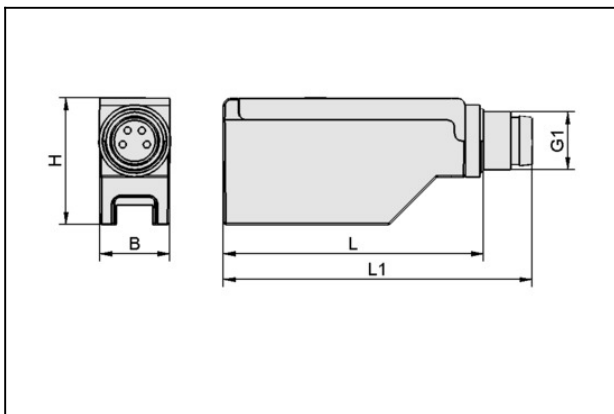
Homepage > Vacuum Technology for Automation > Vacuum Components > Switches and System Monitoring > Electronic Vacuum and Pressure Switches > Vacuum and Pressure Switches VS-V/P-AH/AV-T > VS-V-AV-T-PNP M8-4 S

### Vacuum/pressure switch with 2 teachable, digital output signals



Measuring range: -1.0 ... 0.0 bar  
 Shape: Adaptation vertically  
 Switching-point adjustment:  
 Teachfunction  
 Type: Switches to plus  
 Electrical connection:  
 Male connect M8, 4 pole  
 with: Fixed hysteresis  
 Inputs/outputs: 2 digital

### Design Data



Attribute	Value
B	10 mm
G1	M8-M
H	16.4 mm
L	41.2 mm
L1	48 mm

### Technical Data

Attribute	Value
Measured medium	Non-aggressive gases; dry, oil-free air
Measuring range	-1.0...0.0 bar

## Vacuum/pressure switch teachfunction

### VS-V-AV-T-PNP M8-4 S

Part no.:10.06.02.00292

<https://www.schmalz.com/10.06.02.00292>

Attribute	Value
Overpressure resistance	5 bar
Repeatability	± 1% of full-scale value
Hysteresis	Fixed: approx. 20 mbar
Inputs/outputs	2 digital
Switching capacity (max)	200 mA
Indication	LED
Electrical connection	Male connect M8, 4 pole
Voltage	10-30V DC
Current consumption	20 mA
Protection type IP	IP 40
Temperature influence	± 3% of full-scale value
Operating temperature	0 ... 60 °C
Weight	6 g

## Accessories



### ASK WB-M8-4 5000 K-4P

Part no.10.06.02.00032

Connection cable

Interface Connection 1:

Elbow fem con M8, 4 pol

Cable length: 5000 mm

Interface Connection 2: Cable 4

Material: PUR-Cable

## Vacuum/pressure switch teachfunction

### VS-V-AV-T-PNP M8-4 S

Part no.:10.06.02.00292

<https://www.schmalz.com/10.06.02.00292>



#### **ASK B-M8-4 5000 K-4P**

Part no.10.06.02.00031

Connection cable

Interface Connection cable:

Fem connect M8, 4 pol

Cable length: 5000 mm

Interface Connection cable: Cable 4

Material: PUR-Cable



#### **ADAP-VS 6-1.3x16**

Part no.10.06.02.00300

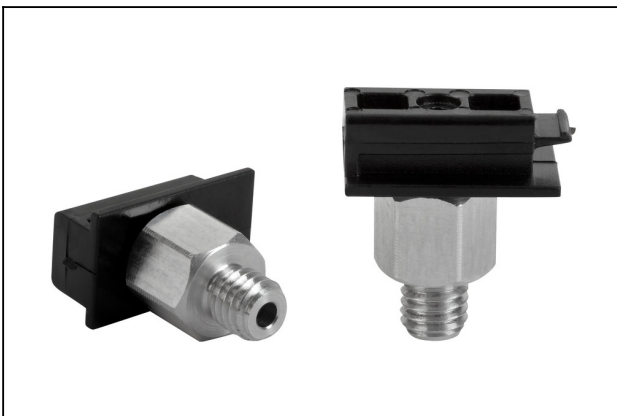
Connection adapter for vacuum connection (already fitted)

External diameter D: 6 mm

Internal diameter d: 1.3 mm

Length L: 16 mm

for: Vacuum switch



#### **ADAP-VS M5-AG-1.3x16**

Part no.10.06.02.00299

Connection adapter for vacuum connection (already fitted)

Thread G1: M5-M

Internal diameter d: 1.3 mm

Length L: 16 mm

for: Vacuum switch