

## Preparation of compressed air → Supplementary products

**Pressure regulator, Series NL1-RGS**

▶ G 1/4 ▶ Qn=1000 l/min ▶ with continuous pressure supply



00106878

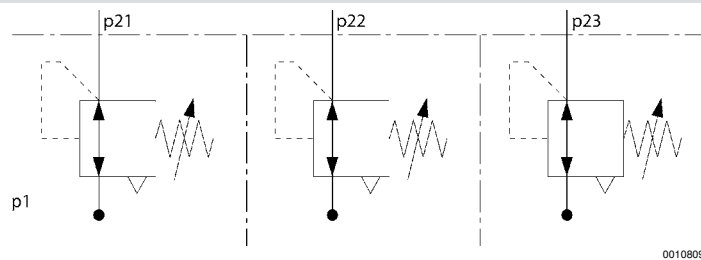
Mounting orientation	Any
Working pressure min./max.	0.5 bar / 16 bar
Medium	Compressed air
Medium temperature min./max.	-10 °C / +60 °C
Ambient temperature min./max.	-10 °C / +60 °C
Regulator type	Diaphragm-type pressure regulator, Can be assembled into blocks with relieving air exhaust
Regulator function	with relieving air exhaust
Adjustment range min./max.	See table below
Pressure supply	double
Materials:	
Housing	Die cast zinc

## Technical Remarks

- The pressure dew point must be at least 15 °C under ambient and medium temperature and may not exceed 3 °C.
- Recommended pre-filtering: 5 μm

	Port	Qn [l/min]	Adjustment range min. - max..		Weight [kg]	Part No.
			[bar]			
	G 1/4	1000	0.1 - 3		0.26	<b>0821300711</b>
			0.2 - 6			<b>0821300712</b>
			0.5 - 10			<b>0821300713</b>
nominal flow Qn with secondary pressure 6 bar at Δp = 1 bar lockable regulator head						

## Application example



00108090

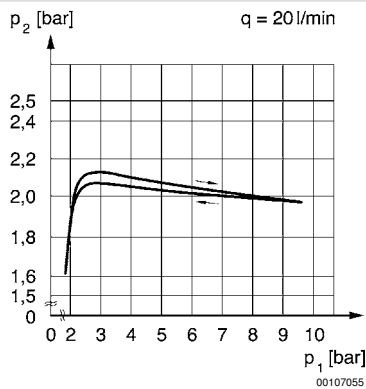
## Supplementary products

Part numbers marked in bold are available from the central warehouse in Germany, see the shopping basket for more detailed information Pneumatics catalog, online PDF, as of 2013-06-22, © Bosch Rexroth Pneumatics GmbH, subject to change

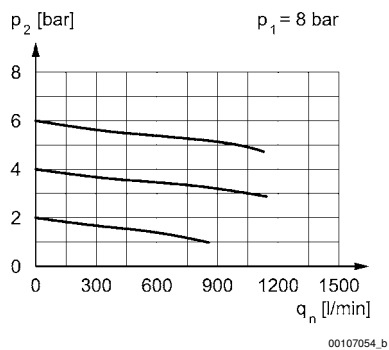
## Preparation of compressed air → Supplementary products

**Pressure regulator, Series NL1-RGS**

▶ G 1/4 ▶ Qn=1000 l/min ▶ with continuous pressure supply

**Pressure characteristics curve**

$p_1$  = working pressure;  $p_2$  = secondary pressure;  $q$  = flow rate

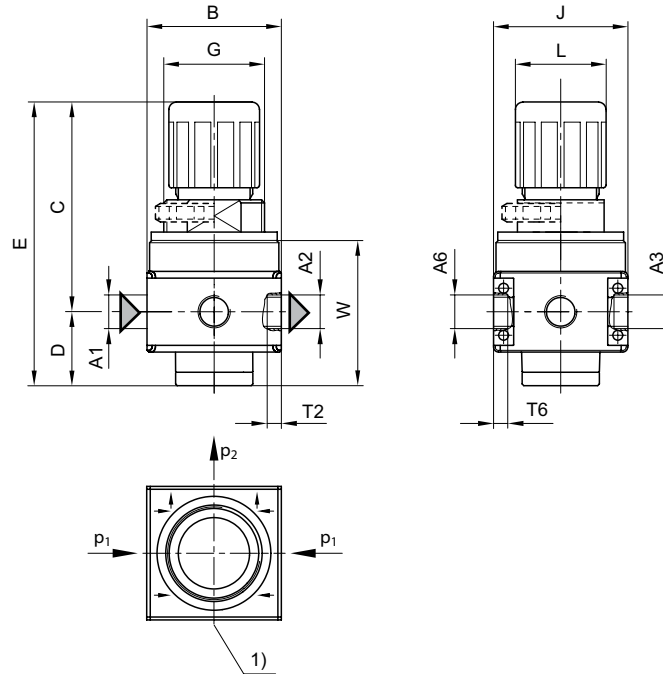
**Flow rate characteristic (setting range  $p_2$ : 0.5 - 10 bar)**

$p_1$  = Working pressure  
 $p_2$  = Secondary pressure  
 $q_n$  = Nominal flow

## Preparation of compressed air → Supplementary products

**Pressure regulator, Series NL1-RGS**

▶ G 1/4 ▶ Qn=1000 l/min ▶ with continuous pressure supply

**Dimensions**

00107245\_m

1) pressure gauge connection  
 p1 = working pressure  
 p2 = secondary pressure

A1	A2	A3	A6	B	C	D	E	G	J	K	L	M	T2
G 1/4	G 1/4	G 1/8	G 1/4	40	62.5	22	84.5	M30x1,5	40	43.5	27	3	8
A1	T6	W											
G 1/4	6	45.5											

## Supplementary products

Part numbers marked in bold are available from the central warehouse in Germany, see the shopping basket for more detailed information  
 Pneumatics catalog, online PDF, as of 2013-06-22, © Bosch Rexroth Pneumatics GmbH, subject to change