

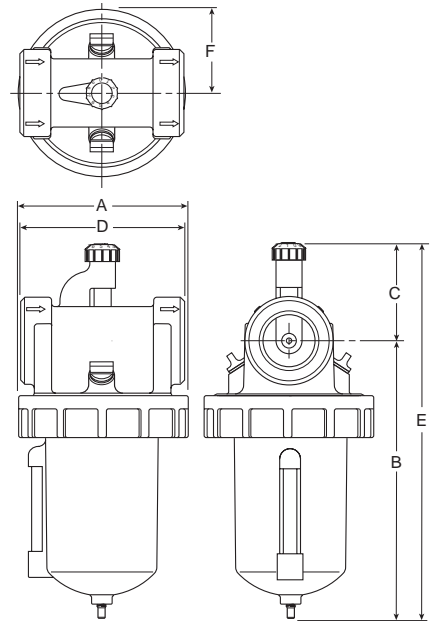
L606 Standard Lubricators

B



Features

- Metal Bowl with Sight Gauge - Standard
- Polycarbonate Sight Dome
- Bowl can be Filled while Air Line is Under Pressure
- Proportional Oil Delivery Over a Wide Range of Air Flows
- Large Capacity Bowl
- Optional High Capacity Bowl(s) Available
- Precision Needle Valve Assures Repeatable Oil Delivery and Provides Simple Adjustment of Delivery Rate
- Automatic Fill Optional (Requires External Pressurized Oil Supply)
- High Flow: 1-1/4" - 325 SCFM§
 1-1/2" - 400 SCFM§



Port Size	NPT No Drain	BSPB No Drain
Zinc Bowl / Sight Gauge		
1-1/4"	L606-10W	L606G10W
1-1/2"	L606-12W	L606G12W
Aluminum Bowl 32 oz. without Sight Gauge		
1-1/4"	L606-10E	L606G10E
1-1/2"	L606-12E	L606G12E
Aluminum Bowl 64 oz. with Sight Gauge		
1-1/4"	L606-10G	L606G10G
1-1/2"	L606-12G	L606G12G

L606 Lubricator Dimensions					
A	B	C	D	E	F
L606-10W, L606-12W					
4.97 (126)	8.19 (208)	2.84 (72.2)	4.81 (122)	11.03 (280)	2.48 (63.1)
L606-10E, L606-12E					
4.97 (126)	11.13 (283)	2.84 (72.2)	4.81 (122)	13.97 (255)	2.48 (63.1)
L606-10G, L606-12G					
5.00 (127)	7.99 (203)	2.84 (72.2)	4.81 (122)	12.80 (325)	2.50 (64)

inches
(mm)

Bold Items are Most Popular.

For other models refer to ordering information below.

§ SCFM = Standard cubic feet per minute at 100 PSIG inlet, and 5 PSIG pressure drop.

Ordering Information



Port Threads
— NPT
G BSPB

Port Size
10 1-1/4 Inch
12 1-1/2 Inch

Bowl			
Bowl Capacity	Description	Size	
E 32 oz.	Large Capacity without Sight Gauge with Drain	1-1/4" & 1-1/2"	
G 64 oz.	Large Capacity with Sight Gauge	1-1/4" & 1-1/2"	
W 16 oz.	Metal with Sight Gauge & Drain	1-1/4" & 1-1/2"	

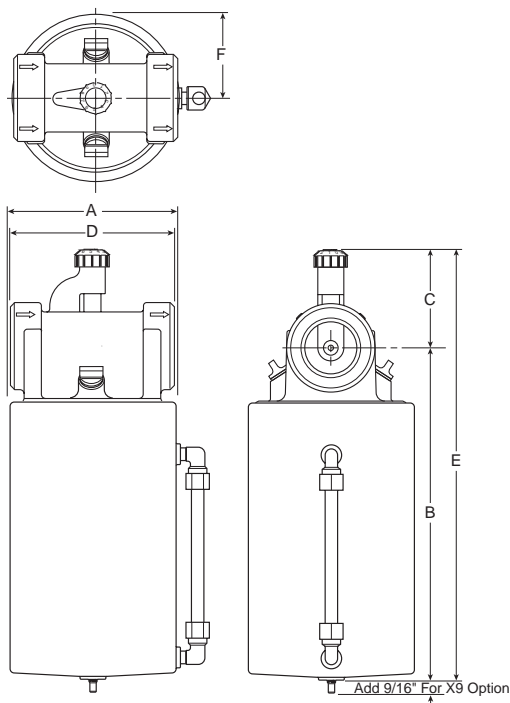
Options
H Button Head Fill Fitting

Engineering Change Designator
Will be entered at factory.

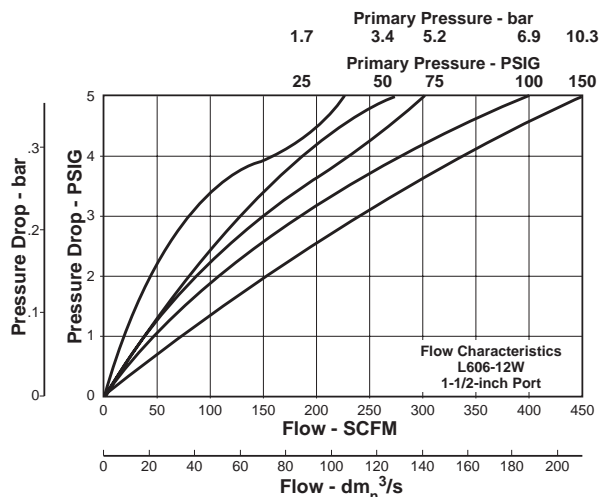
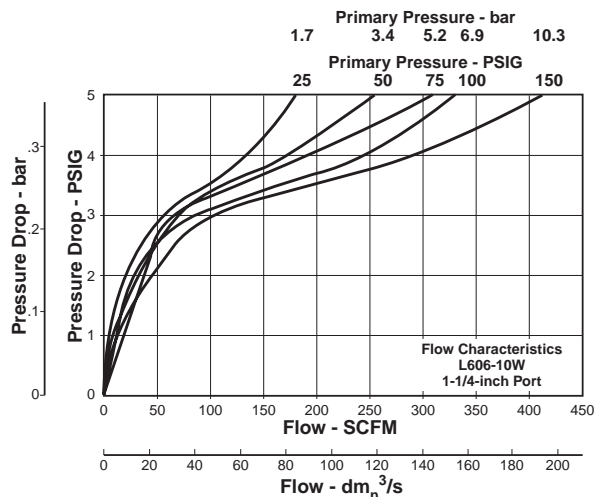
BOLD ITEMS ARE MOST POPULAR.



Technical Information



L606-12G



L606 Lubricator Kits & Accessories

- Adjusting Knob** 606Y72
- Bowl Kits –**
 - Aluminum (E) BK603B
 - Aluminum with Sight Gauge (G) BK606X30B
 - Zinc with Sight Gauge (W) BK605WB
- Button Head Fill Fitting (M14 male thread)** L606C14
- Dip Tube Kit** DTK606
- Drip Spout Kit** RK606SY
- Repair Kits –**
 - Needle Valve Assembly (All) RK606Y
 - Sight Gauge Bowl Repair Kit (W) RKB605WB
 - Sight Gauge Bowl Repair Kit (G) RKB606X30B

Specifications

- Bowl Capacity –**
 - Aluminum (E) 32 Ounces
 - Aluminum with Polycarbonate Sight Gauge (G) 64 Ounces
 - Zinc with Nylon Sight Gauge (W) 16 Ounces
- Port Threads** 1-1/4, 1-1/2 Inch

Pressure & Temperature Ratings –

- Aluminum Bowl (E) 0 to 300 PSIG (0 to 20.4 bar)
 40°F to 150°F (4.4°C to 65.6°C)
- Aluminum Bowl with
 Polycarbonate Sight Gauge (G) 0 to 150 PSIG (0 to 10.2 bar)
 40°F to 125°F (4.4°C to 52°C)
- Zinc Bowl with
 Nylon Sight Gauge (W) 0 to 250 PSIG (0 to 17.2 bar)
 40°F to 150°F (4.4°C to 65.6°C)

Weight –

- Aluminum Bowl (E) 8.3 lb. (3.76 kg) / Unit
 33.2 lb. (15.06 kg) / 4-Unit Master Pack
- Aluminum Bowl with
 Polycarbonate Sight Gauge (G) 10 lb. (4.54 kg) / Unit
 40 lb. (18.14 kg) / 4-Unit Master Pack
- Zinc Bowl with
 Nylon Sight Gauge (W) 7.5 lb. (3.40 kg) / Unit
 28.2 lb. (12.79 kg) / 4-Unit Master Pack

Materials of Construction

- Body** Zinc
- Bowls –**
 - (E) Aluminum
 - (G) Aluminum with Polycarbonate Sight Gauge
 - (W) Zinc with Nylon Sight Gauge
- Seals** Buna N

