

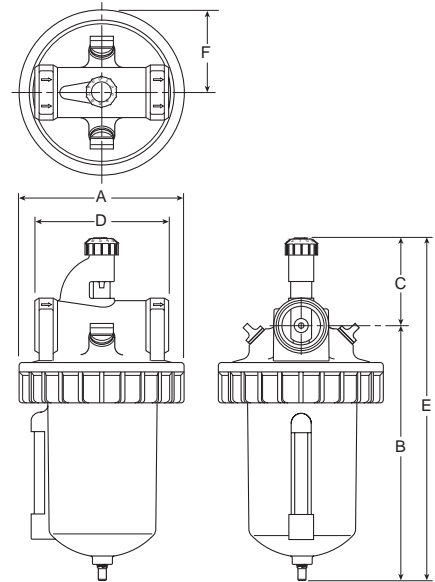
**L606 Standard Lubricators**

**B**



**Features**

- Metal Bowl with Sight Gauge & Drain - Standard
- Polycarbonate Sight Dome
- Bowl can be Filled while Air Line is Under Pressure
- Proportional Oil Delivery Over a Wide Range of Air Flows
- Large Capacity Bowl
- Optional High Capacity Bowl(s) Available
- Precision Needle Valve Assures Repeatable Oil Delivery and Provides Simple Adjustment of Delivery Rate
- Automatic Fill Optional (Requires External Pressurized Oil Supply)
- High Flow: 3/4" - 325 SCFM<sup>§</sup>  
 1" - 350 SCFM<sup>§</sup>



Port Size	NPT No Drain	BSPP No Drain
<b>Zinc Bowl / Sight Gauge</b>		
3/4"	<b>L606-06W</b>	L606G06W
1"	<b>L606-08W</b>	L606G08W
<b>Aluminum Bowl 32 oz. without Sight Gauge</b>		
3/4"	<b>L606-06E</b>	L606G06E
1"	<b>L606-08E</b>	L606G08E
<b>Aluminum Bowl 64 oz. with Sight Gauge</b>		
3/4"	<b>L606-06G</b>	L606G06G
1"	<b>L606-08G</b>	L606G08G

<b>L606 Lubricator Dimensions</b>					
A	B	C	D	E	F
<b>L606-06W, L606-08W</b>					
4.97 (126)	7.25 (198)	2.63 (66.7)	4.06 (103)	11.44 (291)	2.48 (63.1)
<b>L606-06E, L606-08E</b>					
4.97 (126)	10.75 (273)	2.63 (66.7)	4.06 (103)	13.38 (340)	2.48 (63.1)
<b>L606-06G, L606-08G</b>					
5.00 (127)	9.40 (239)	2.62 (66)	4.06 (103)	12.02 (305)	2.50 (64)

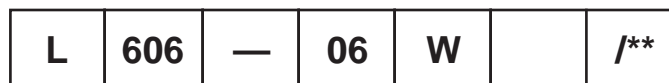
inches  
(mm)

**Bold Items are Most Popular.**

For other models refer to ordering information below.

§ SCFM = Standard cubic feet per minute at 100 PSIG inlet, and 5 PSIG pressure drop.

**Ordering Information**

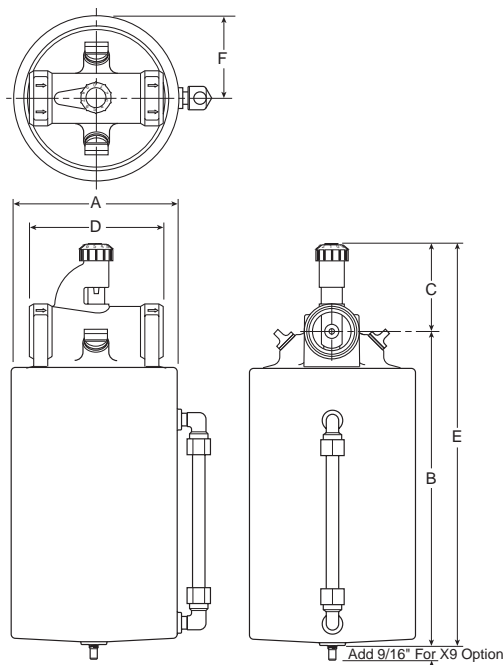


Port Threads	Port Size	Bowl			Options	Engineering Change Designator
— NPT G BSPP	<b>06</b> 3/4 Inch <b>08</b> 1 Inch	<b>Bowl Capacity</b>	<b>Description</b>	<b>Size</b>	H Button Head Fill Fitting	Will be entered at factory.
		E 32 oz.	Large Capacity without Sight Gauge with Drain	3/4" & 1"		
		G 64 oz.	Large Capacity with Sight Gauge	3/4" & 1"		
		<b>W 16 oz.</b>	<b>Metal with Sight Gauge &amp; Drain</b>	<b>3/4" &amp; 1"</b>		

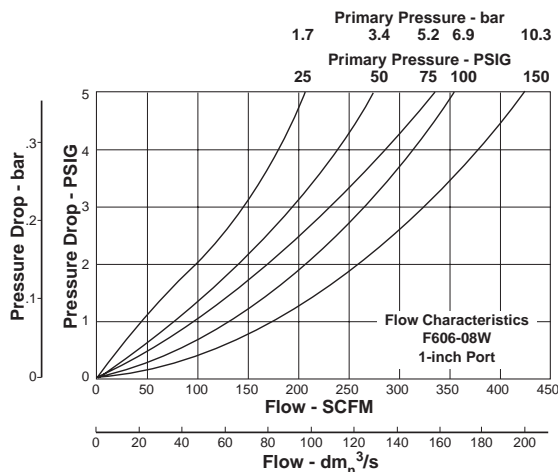
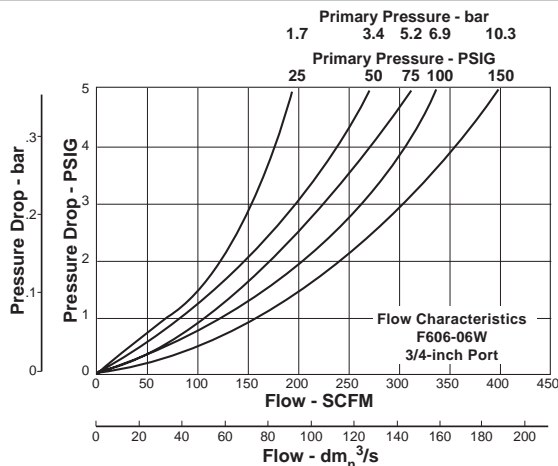
**BOLD ITEMS ARE MOST POPULAR.**



**Technical Information**



**L606-08G**



**L606 Lubricator Kits & Accessories**

**Adjusting Knob** ..... 606Y72

**Bowl Kits –**

- Aluminum (E) ..... BK603B
- Aluminum with Sight Gauge (G) ..... BK606X30B
- Zinc with Sight Gauge (W) ..... BK605WB

**Button Head Fill Fitting** (M14 male thread) ..... L606C14

**Dip Tube Kit** ..... DTK606

**Drip Spout Kit** ..... RK606SY

**Mounting Bracket –**

- 3/4 Inch units (2 required per unit) ..... SA200AW57
- 1 Inch units (2 required per unit) ..... SA200CW57

**Repair Kits –**

- Needle Valve Assembly (All) ..... RK606Y
- Sight Gauge Bowl Repair Kit (W) ..... RKB605WB
- Sight Gauge Bowl Repair Kit (G) ..... RKB606X30B

**Specifications**

**Bowl Capacity –**

- Aluminum (E) ..... 32 Ounces
- Aluminum with Polycarbonate Sight Gauge (G) ..... 64 Ounces
- Zinc with Nylon Sight Gauge (W) ..... 16 Ounces

**Port Threads** ..... 3/4, 1 Inch

**Pressure & Temperature Ratings –**

Aluminum Bowl (E) ..... 0 to 300 PSIG (0 to 20.4 bar)  
 40°F to 150°F (4.4°C to 65.6°C)

Aluminum Bowl with  
 Polycarbonate Sight Gauge (G) ..... 0 to 150 PSIG (0 to 10.2 bar)  
 40°F to 125°F (4.4°C to 52°C)

Zinc Bowl with  
 Nylon Sight Gauge (W) ..... 0 to 250 PSIG (0 to 17.2 bar)  
 40°F to 150°F (4.4°C to 65.6°C)

**Weight –**

Aluminum Bowl (E) ..... 5.5 lb. (2.49 kg) / Unit  
 22.3 lb. (10.12 kg) / 4-Unit Master Pack

Aluminum Bowl with  
 Polycarbonate Sight Gauge (G) ..... 7.2 lb. (3.27 kg) / Unit  
 28.8 lb. (13.06 kg) / 4-Unit Master Pack

Zinc Bowl with  
 Nylon Sight Gauge (W) ..... 4.2 lb. (1.91 kg) / Unit  
 16.6 lb. (7.53 kg) / 4-Unit Master Pack

**Materials of Construction**

**Body** ..... Zinc

**Bowls –**

- (E) ..... Aluminum
- (G) ..... Aluminum with Polycarbonate Sight Gauge
- (W) ..... Zinc with Nylon Sight Gauge

**Seals** ..... Buna N

