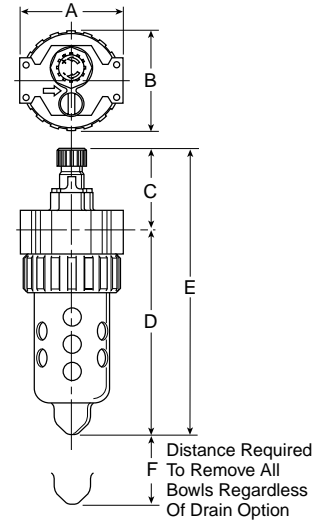


L606 Micro-Mist Lubricators – Compact



Features

- Proportional oil delivery over a wide range of air flows
- Generates oil particles of 5 micron or smaller downstream to lubricate systems having complex piping arrangements
- Precision needle valve assures repeatable oil delivery and provides simple adjustment of delivery rate
- Ideal for low and high flow applications with changing air flow
- Transparent sight dome for 360° visibility.
- Yellow fill cap identifies Micro-Mist Lubricator
- High Flow: 1/4" – 40 SCFM §
 3/8" – 60 SCFM §
 1/2" – 90 SCFM §



Distance Required To Remove All Bowls Regardless Of Drain Option

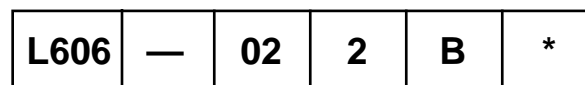
Port Size	NPT	
	Twist Drain	No Drain
Poly Bowl [‡] / Metal Guard		
1/4"	—	L606-022B*
3/8"	—	L606-032B*
1/2"	—	L606-042B*
Metal Bowl / Sight Gauge		
1/4"	L606-024B*	—
3/8"	L606-034B*	—
1/2"	L606-044B*	—

L606 Lubricator Dimensions			
A	B	C	D
2.81 (71)	2.74 (70)	2.24 (57)	5.58 (142)
D [†]	E	E [†]	F
5.69 (145)	7.82 (199)	7.93 (201)	2.25 (57)

Inches (mm)
[†] With Twist Drain.

Standard part numbers shown bold.
 For other models refer to ordering information below.
[‡] For polycarbonate bowl and sight dome, see Caution on inside cover.
[§] SCFM = Standard cubic feet per minute at 90 PSIG inlet and 5 PSIG pressure drop.

Ordering Information



Port Threads
— NPT
G* BSPP

* 1/4 & 3/8 inch meet ISO 1179-1 Standard.

Port Size
02 1/4 Inch
03 3/8 Inch
04 1/2 Inch

Bowl Options	
Polycarbonate Bowl	Metal Bowl
2 Metal Bowl Guard / No Drain	4 Sight Gauge / Twist Drain
6 Metal Bowl Guard / Pressure Fill	8 Sight Gauge / Pressure Fill

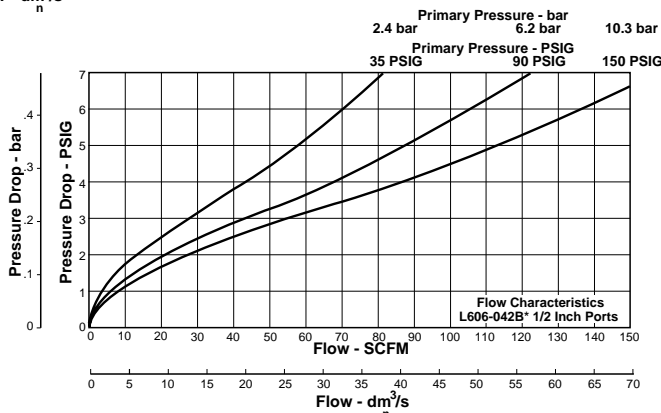
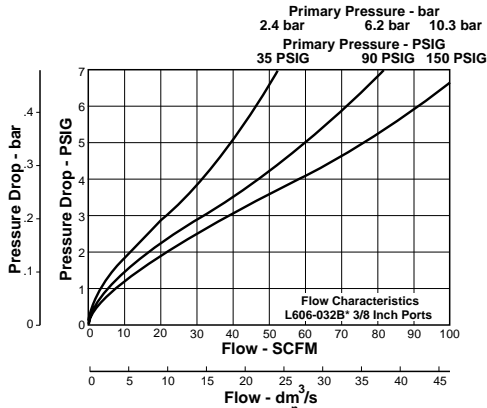
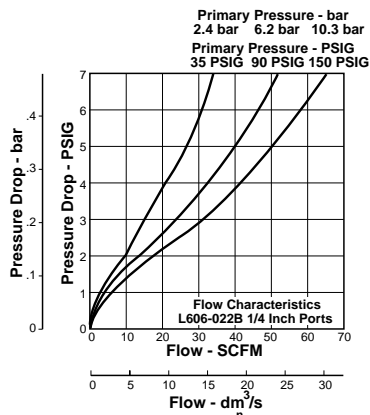
Options
B With Fill Plug
C With Fill Plug/Nylon Sight Dome
F With Body Pressure Fill
G With Body Pressure Fill / Nylon Sight Dome

Engineering Level
* Will be Entered at Factory.

BOLD ITEMS ARE MOST POPULAR.



Technical Information



**L606 Micro-Mist Lubricator
 Kits & Accessories**

- Adjustment Knob P04121
- Adjustment Knob (Old L606)* 606Y72
- Bowl Guard Kit PS705
- Bowl Kits –**
- Poly Bowl – No Drain..... PS746
- Twist Drain PS717
- Pressure Fill PS719
- Plastic Bowl Guard (Old L606)*..... BK606Y
- Metal Bowl – Sight Gauge / Twist Drain..... PS729
- Sight Gauge / Pressure Fill..... PS720
- Zinc with Sight Gauge (Old L606)*.....BK605WY
- Drain Kit – Twist Drain**..... PS512
- Fill Cap Kit**..... PS742
- Lubricator Service Kit** PS748
- Mounting Bracket Kit** PS743
- Mounting Bracket Kit (Old L606)* SAF602-0571
- Oil –** 1 Gal. F442002
- 12 Quart Case F442003
- 4 Gallon Case..... F442005
- Pressure Fill Adapter Kit** PS716
- Pressure Fill Button** P11912
- Button Head Fill Fitting (M14 Male Thread) (Old L606)**.....L606C14
- Drip Tube Kit (Old L606)**..... DTK606
- Drip Spout Kit (Old L606)**..... RK606SY
- Sight Dome / Fill Cap Kit**..... PS739
- Nylon Sight Dome Kit** PS740N
- Repair Kits –**
- Needle Valve Assembly (B, W) (Old L606)*.....RK606Y
- Sight Gauge for “W” Bowl (Old L606)*..... RKB605WY

Specifications

- Bowl Capacity** 2.60 Ounces
- Minimum Flow for Lubrication** 1 SCFM at 100 psig
- Port Threads**..... 1/4, 3/8, 1/2 Inch
- Pressure & Temperature Rating –**
- Polycarbonate Bowl – 0 to 150 psig (0 to 10.3 bar)
 32°F to 125°F (0°C to 52°C)
- Metal Bowl – 0 to 250 psig (0 to 17.2 bar)
 32°F to 175°F (0°C to 80°C)
- Suggested Lubricant**F442 Oil
- Petroleum based oil of 100 to 200 SSU viscosity at 100°F (38°C)
 and an aniline point greater than 200°F (93°C)
- (DO NOT USE OILS WITH ADDITIVES, COMPOUNDED OILS
 CONTAINING SOLVENTS, GRAPHITE, DETERGENTS, OR
 SYNTHETIC OILS.)
- Weight** 1.2 lb. (.5 kg)
- Materials of Construction**
- Body** Zinc
- Bowls –** Transparent Polycarbonate
- Metal (With Sight Gauge)..... Zinc
- Bowl Guard** Steel
- Collar** Plastic
- Drain – Twist – Body & Nut** Plastic
- Injector Meter Block & Base Assembly** Plastic
- Seals** Nitrile
- Sight Dome** Polyamide (Nylon)
- Sight Gauge** Polyamide (Nylon)

