

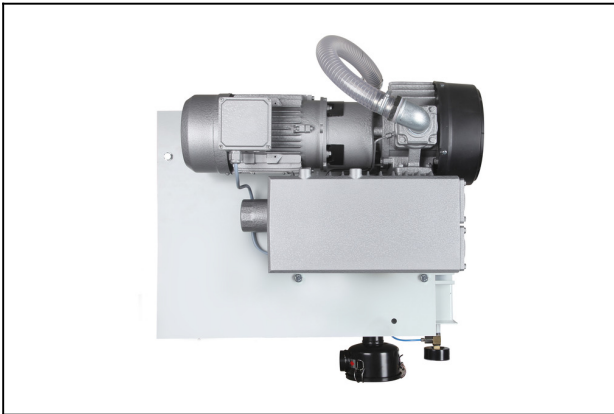
Vacuum centre VZ-OG 100 AC3 100

Part no.:10.03.04.00139

<https://www.schmalz.com/10.03.04.00139>

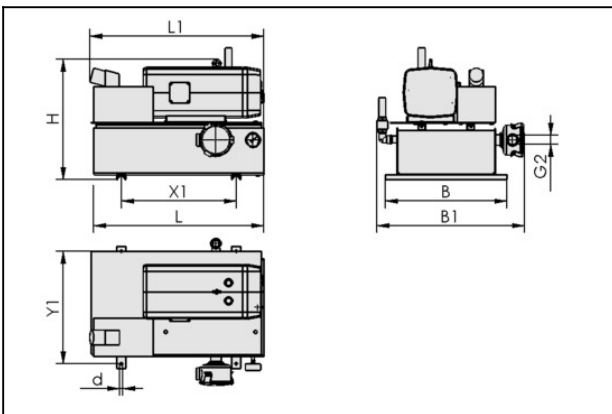
Homepage > Vacuum Technology for Automation > Vacuum Components > Vacuum Generators > Vacuum Centres > Vacuum Centres VZ > VZ-OG 100 AC3 100

Vacuum centre with oil-lubricated pump and vacuum reservoir



Suction rate: 100 m³/h
Voltage: 230/400 V, 50 Hz
Reservoirs volume: 100 l

Design Data



Attribute	Value
B	610 mm
B1	750 mm
d	11 mm
G2	G1-1/4-F
H	700 mm
L	710 mm
L1	750 mm
X1	480 mm
Y1	570 mm

Technical Data

Vacuum centre

VZ-OG 100 AC3 100

Part no.:10.03.04.00139

<https://www.schmalz.com/10.03.04.00139>



Attribute	Value
Max. vacuum	-980 mbar
Voltage	230/400 V, 50 Hz
Motor power	2.2 kW
Reservoirs volume	100 l
Protection type IP	IP 54
Weight	129.5 kg

Spare Parts



FILT-EINS 3 98x70 PAP STF-1-1/4-IGN

Part no.10.07.01.00018

Filter insert (round)

Filter pore size: 3 µm

External diameter D: 98 mm

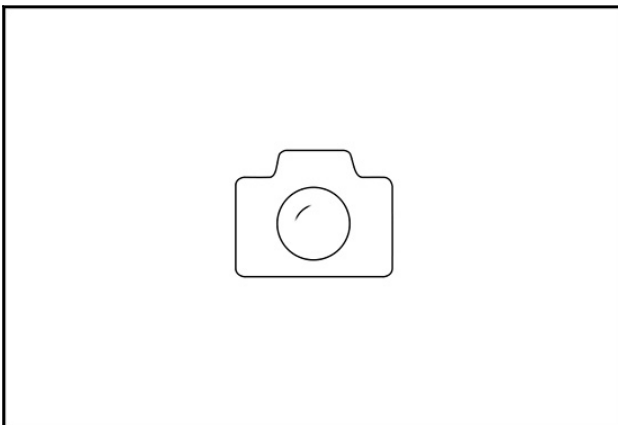
Length L: 70 mm

Filter material: Paper

for: Filters STF

Size: 1-1/4-IGN

Accessories



OEL EVE-OG 1L ANDEROL 555

Part no.27.02.01.00055

Oil

for: Pump_EVE-OG

Volume: 1 l

Vacuum centre
VZ-OG 100 AC3 100

Part no.:10.03.04.00139

<https://www.schmalz.com/10.03.04.00139>

