

## Flow resistance

### SW 130 P 7.3

Part no.:10.05.04.00092

<https://www.schmalz.com/10.05.04.00092>

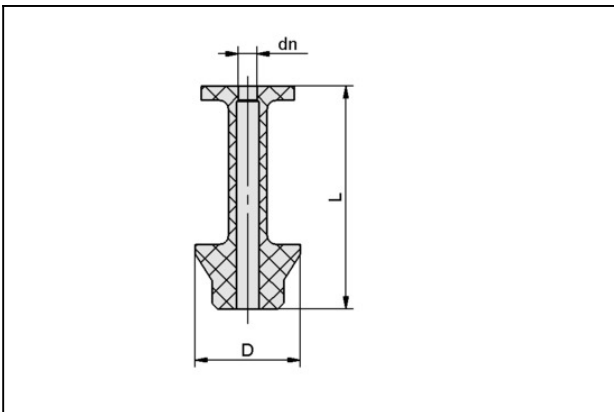
Homepage > Vacuum Technology for Automation > Vacuum Components > Vacuum Suction Cups > Suction Cups for Packaging > SW 130 P 7.3

## Flow resistor for reduction of the volume flow rate



Nominal size: 1.30 mm  
 Shape: Push In  
 Length L: 15.5 mm  
 Material: Polyoxymethylene  
 External diameter D: 7.3 mm

## Design Data



Attribute	Value
dn	1.3 mm
D	7.3 mm
L	15.5 mm

## Technical Data

Attribute	Value
Material	Polyoxymethylene
Weight	0.3 g

## Flow resistance

SW 130 P 7.3

Part no.:10.05.04.00092

<https://www.schmalz.com/10.05.04.00092>

---

