

Bellows suction cup (round)

SPB2 50 ED-65 SC050

Part no.:10.01.06.03413

<https://www.schmalz.com/10.01.06.03413>

Homepage > Vacuum Technology for Automation > Vacuum Components > Vacuum Suction Cups > Suction Cups for Packaging > SPB2 50

ED-65 SC050

Bellows suction cup (round) with 2.5 corr. for dynamic handling of cardboard and rigid packaging



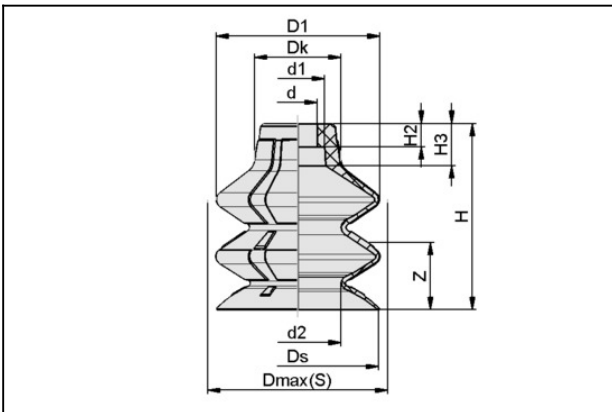
Size: 50

Suction cup material: Elastodur

Material hardness: 65 °Sh

Number of folds: 2.5

Design Data



Attribute	Value
d	11 mm
d1	17.3 mm
d2	27.1 mm
D1	52.2 mm
Dk	23.5 mm
Dmax(S)	55.5 mm
Ds	51.3 mm
H	55.9 mm
H2	7 mm
H3	11.6 mm
Z (Stroke)	32 mm

Bellows suction cup (round)

SPB2 50 ED-65 SC050

Part no.:10.01.06.03413

<https://www.schmalz.com/10.01.06.03413>



Technical Data

Attribute	Value
Suction force	34.6 N
Pull-off force	61.8 N
Lateral force	28.5 N
Volume	51.8 cm ³
Curve radius (min) (convex)	75 mm
Hose diameter (empf.) d	6 mm
Size	50
Nipple family	SC 050
Number of folds	2.5
Suction cup material	Elastodur
Material hardness [Shore A]	65
Weight	18.3 g
Product family	SPB2

Accessories



SC 050 G1/4-AG

Part no.10.01.06.02487

Connection element for suction cup "SchmalzConnector"

Connection geometry: 050

Vacuum connection: G1/4"-M

Overall length: 26.5 mm

Fitting length: 7.2 mm

Nominal diameter dn: 6.1 mm

Bellows suction cup (round)

SPB2 50 ED-65 SC050

Part no.:10.01.06.03413

<https://www.schmalz.com/10.01.06.03413>



SC 050 G1/4-IG

Part no.10.01.06.02488

Connection element for suction cup "SchmalzConnector"

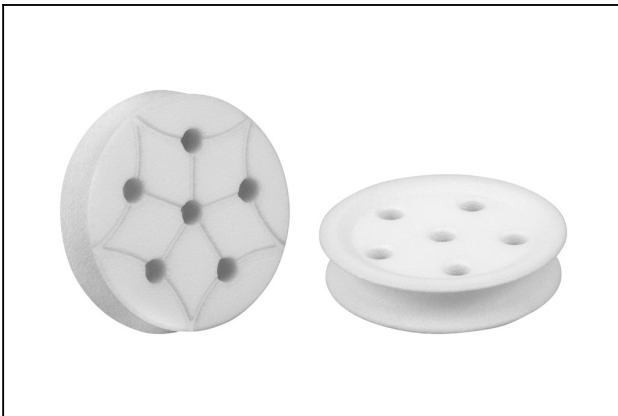
Connection geometry: 050

Vacuum connection: G1/4"-F

Overall length: 26.5 mm

Fitting length: 17.2 mm

Nominal diameter dn: 6.1 mm



SPI 50 PA SPB2-50

Part no.10.01.06.04045

Suction cup insert for preventing deformation of sensitive workpieces

Size: 50

Material: Polyamide

Application: SPB2-50