

Flat suction cup (round)

SHFN 50 NK-45 G1/4-IG MOS

Part no.:10.01.01.11696

<https://www.schmalz.com/10.01.01.11696>

Homepage > Vacuum Technology for Automation > Vacuum Components > Vacuum Suction Cups > Suction Cups for Handling Wood > Flat

Suction Cups SHFN > SHFN 50 NK-45 G1/4-IG MOS

Flat suction cup (round) for highly dynamic handling of wood



Size: 50

Suction cup material:

Natural Rubber NK

Material hardness: 45 °Sh

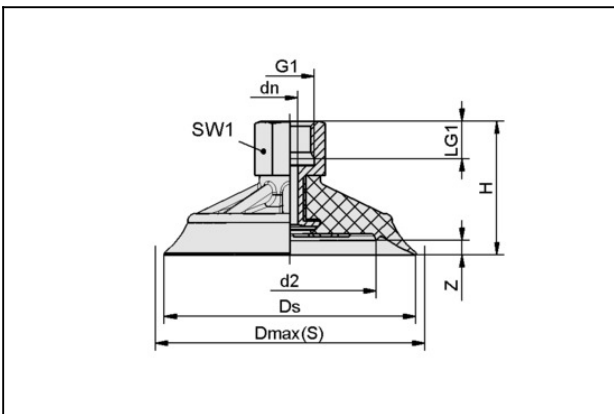
Nipple material: Aluminium

Vacuum connection: G1/4"-F

Additional feature:

Sealing lip with MOS

Design Data



Attribute	Value
dn	4.4 mm
Dmax(S)	55 mm
Ds	52 mm
G1	G1/4"-F
H	37.2 mm
LG1	11 mm
SW1	17 mm
Z (Stroke)	3 mm
d2	21 mm

Technical Data

Flat suction cup (round)

SHFN 50 NK-45 G1/4-IG MOS

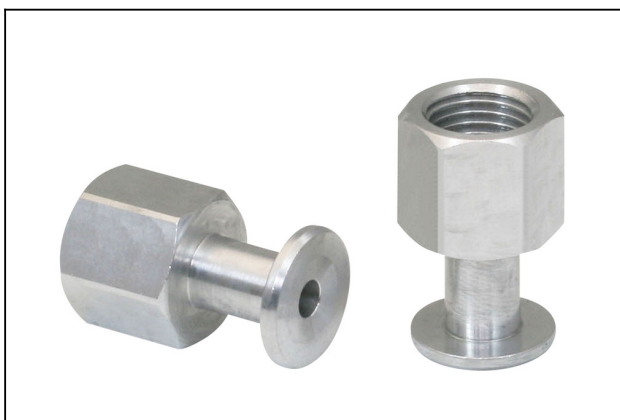
Part no.:10.01.01.11696

<https://www.schmalz.com/10.01.01.11696>

Attribute	Value
Size	50
Suction cup material	Natural Rubber NK
Suction force d2	40 N
Suction force	110 N
Lateral force	95 N
Volume	6.3 cm ³
Curve radius (min) (convex)	41 mm
Hose diameter (empf.) d	4 mm
Number of folds	0
Weight	19.1 g
Product family	SHFN

Note: Suction force: The specified suction forces are theoretical values at a vacuum of -0.6 bar and with a smooth, dry workpiece surface - they do not include a safety factor Pull-off force: The pull-off force of the versions made of natural rubber is reduced by about 40% Hose diameter: The recommended hose diameter refers to a hose length of approx. 2 m

Spare Parts



SA-NIP N041 G1/4-IG DN440

Part no.10.01.01.11822

Suction cup connection nipple

Nipple: N 041

Thread G1: G1/4"-F

Overall length: 29.3 mm

Fitting length: 15 mm

Nominal size: 4,40 mm

Material: Aluminium

Spanner size SW2: 5 mm

Flat suction cup (round)

SHFN 50 NK-45 G1/4-IG MOS

Part no.:10.01.01.11696

<https://www.schmalz.com/10.01.01.11696>



SIEB 15x0.8 MS-A2 0.103/0.07

Part no.10.07.01.00211

Screen

External diameter D: 15 mm

Length L: 0.8 mm

Material: Brass / Stainless steel

Mesh: 0.103 mm

Wire size: 0.07 mm



SHF 50 NK-45 N041 MOS

Part no.10.01.01.11688

Flat suction cup (round) for highly dynamic handling of wood

Size: 50

Suction cup material:

Natural Rubber NK

Material hardness: 45 °Sh

Additional feature:

Sealing lip with MOS

Accessories



SIEB 15x0.8 MS-A2 0.103/0.07

Part no.10.07.01.00211

Screen

External diameter D: 15 mm

Length L: 0.8 mm

Material: Brass / Stainless steel

Mesh: 0.103 mm

Wire size: 0.07 mm