

## Flat suction cup (round)

SGPN 35 HT1-60 G1/4-IG

Part no.:10.01.01.12849

<https://www.schmalz.com/10.01.01.12849>

Homepage > Vacuum Technology for Automation > Vacuum Components > Vacuum Suction Cups > Suction Cups for Plastic Films and Paper >

Flat Suction Cups SGPN > SGPN 35 HT1-60 G1/4-IG

### Flat suction cup (round) for careful gripping of paper, plastic film, etc.



Size: 35

Suction cup material:

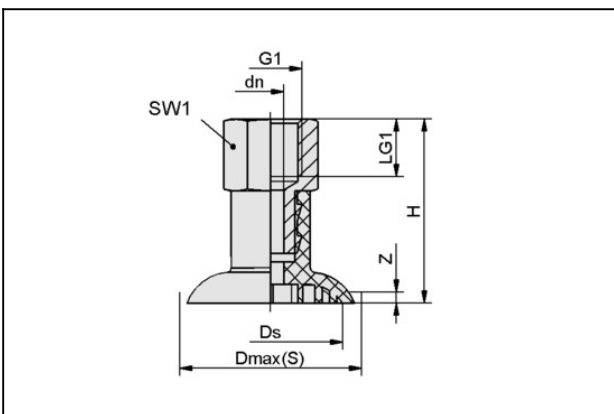
High temp material HT1

Material hardness: 60 °Sh

Nipple material: Aluminium

Vacuum connection: G1/4"-F

### Design Data



Attribute	Value
dn	5.5 mm
Dmax(S)	35 mm
Ds	34 mm
G1	G1/4"-F
H	38.5 mm
LG1	12 mm
SW1	17 mm
Z (Stroke)	0.5 mm

### Technical Data

## Flat suction cup (round)

SGPN 35 HT1-60 G1/4-IG

Part no.:10.01.01.12849

<https://www.schmalz.com/10.01.01.12849>

Attribute	Value
Suction force	31 N
Volume	2.8 cm <sup>3</sup>
Hose diameter (empf.) d	4 mm
Size	35
Number of folds	0
Suction cup material	High temp material HT1
Material hardness [Shore A]	60
Weight	14.4 g
Product family	SGPN

Note: Suction force: The specified suction forces are theoretical values at a vacuum of -0.6 bar and with a smooth, dry workpiece surface - they do not include a safety factor  
 Hose diameter: The recommended hose diameter refers to a hose length of approx. 2 m

### Spare Parts



#### SA-NIP N034 G1/4-IG DN550

Part no.10.01.01.00819

Suction cup connection nipple

Nipple: N 034

Thread G1: G1/4"-F

Overall length: 28 mm

Fitting length: 15 mm

Nominal size: 5,50 mm

Material: Aluminium

Spanner size SW2: 6 mm

## Flat suction cup (round)

SGPN 35 HT1-60 G1/4-IG

Part no.:10.01.01.12849

<https://www.schmalz.com/10.01.01.12849>



### SGP 35 HT1-60 N034

Part no.10.01.01.12811

Flat suction cup (round) for careful gripping of paper, plastic film, etc.

Size: 35

Suction cup material:

High temp material HT1

Material hardness: 60 °Sh