

Flat suction cup (oval)

SGO 45x15 SI-60 N023

Part no.:10.01.05.00159

<https://www.schmalz.com/10.01.05.00159>

Homepage > Vacuum Technology for Automation > Vacuum Components > Vacuum Suction Cups > Flat Suction Cups (Oval) > SGO 45x15

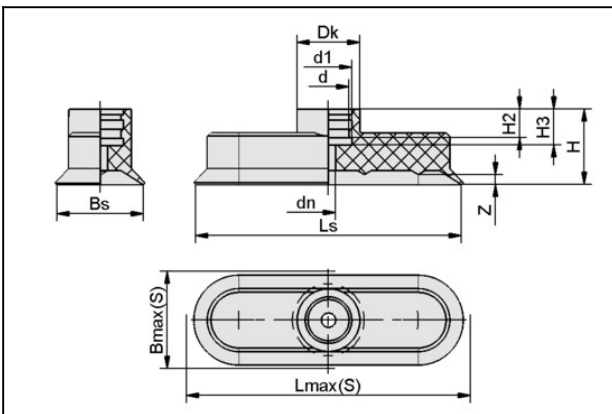
SI-60 N023

Flat suction cup (oval) for narrow or curved workpieces



Dimensions (LxB): 45 x 15 mm
 Suction cup material: Silicone SI
 Material hardness: 60 °Sh
 Material characteristics:
 FDA-compatible

Design Data



Attribute	Value
Bmax(S)	16.5 mm
Bs	14.4 mm
d	11.5 mm
d1	13 mm
dn	3 mm
Dk	15.5 mm
Lmax(S)	46 mm
Ls	44.4 mm
H	21 mm
H2	8 mm
H3	10 mm
Z (Stroke)	2 mm

Flat suction cup (oval)

SGO 45x15 SI-60 N023

Part no.:10.01.05.00159

<https://www.schmalz.com/10.01.05.00159>

Technical Data

Attribute	Value
Suction force	28.2 N
Dimensions (LxB)	45 x 15
Suction cup material	Silicone SI
Material hardness [Shore A]	60
Weight	6.4 g
Number of folds	0
Product family	SGO

Accessories



SA-NIP N023 G1/4-AG DN350

Part no.10.01.05.00122

Suction cup connection nipple

Nipple: N 023

Thread G1: G1/4"-M

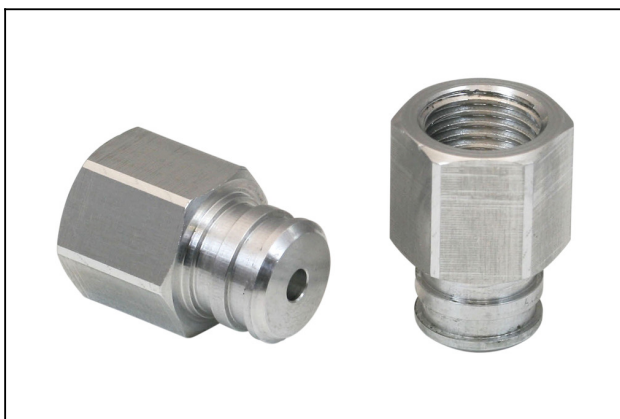
Overall length: 25 mm

Fitting length: 5 mm

Nominal size: 3,50 mm

Material: Aluminium

Spanner size SW2: 5 mm



SA-NIP N023 G1/4-IG DN350

Part no.10.01.05.00121

Suction cup connection nipple

Nipple: N 023

Thread G1: G1/4"-F

Overall length: 25 mm

Fitting length: 15 mm

Nominal size: 3,50 mm

Material: Aluminium

Spanner size SW2: 5 mm

Flat suction cup (oval)

SGO 45x15 SI-60 N023

Part no.:10.01.05.00159

<https://www.schmalz.com/10.01.05.00159>

