

# Magnetic gripper

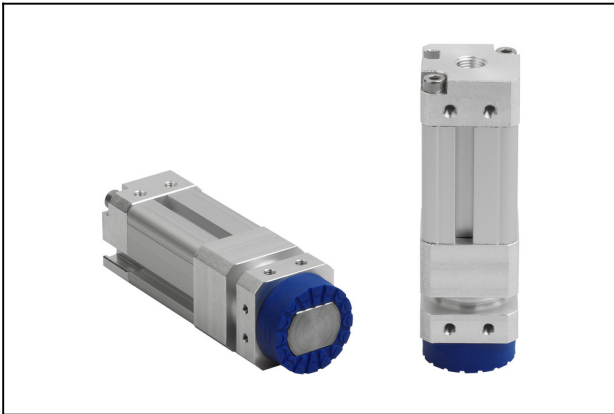
## SGM-HP 30 G1/8-IG

Part no.:10.01.17.00316

<https://www.schmalz.com/10.01.17.00316>

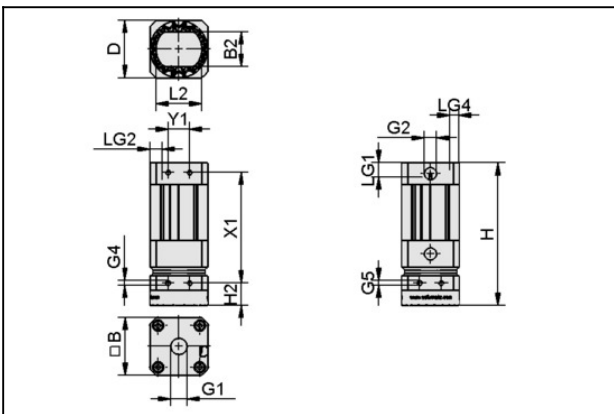
Homepage > Vacuum Technology for Automation > Vacuum Components > Special Grippers > Magnetic Grippers > Magnetic Grippers SGM-HP/HT > SGM-HP 30 G1/8-IG

### Magnetic gripper for handling metal sheets with holes



Size: 30  
 Socket: G1/8"-F  
 Holding force max: 130 N  
 Holding force max friction ring: 90 N  
 Pressure range (operating pressure):  
 2.5 ... 6.0 bar

### Design Data



| Attribute | Value   |
|-----------|---------|
| B         | 30 mm   |
| B2        | 15 mm   |
| D         | 30 mm   |
| G1        | G1/8"-F |
| G2        | G1/8"-F |
| G4        | M4-F    |
| G5        | M4-F    |
| H         | 99.4 mm |
| H2        | 15.7 mm |
| L2        | 20.5 mm |
| LG1       | 6 mm    |
| LG2       | 7 mm    |
| LG4       | 5 mm    |

# Magnetic gripper

## SGM-HP 30 G1/8-IG

Part no.:10.01.17.00316

<https://www.schmalz.com/10.01.17.00316>



| Attribute | Value |
|-----------|-------|
| X1        | 74 mm |
| Y1        | 12 mm |

---

### Technical Data

| Attribute                                     | Value           |
|---|-----------------|
| Holding force max. without friction ring      | 130 N           |
| Holding force max. friction ring              | 90 N            |
| Blechstärke opt. für Haltekraft max.          | 2 mm            |
| Holding force 2mm-sheet without friction ring | 130 N           |
| Holding force 2mm-sheet friction ring         | 90 N            |
| Remaining force                               | 0.3 N           |
| Pressure range (operating pressure)           | 2.5 ... 6.0 bar |
| Installation position                         | Any             |
| Control valve                                 | Bistable        |
| Operating temperature                         | 5 ... 70 °C     |
| Weight  | 215 g           |

Note: The specified holding forces are static values under optimal conditions (primarily depending on material and surface characteristics). For system designs, a safety factor of  $S = 3$  must be applied. Holding forces SGM-HT-HP at 20 °C; can be used for workpiece temperatures up to 350 °C (depending on process conditions), the influence of temperature can reduce holding forces by up to 30%

---

### Spare Parts

## Magnetic gripper

SGM-HP 30 G1/8-IG

Part no.:10.01.17.00316

<https://www.schmalz.com/10.01.17.00316>



### REIB-RING SGM 30 PU-55

Part no.10.01.17.00385

Friction ring

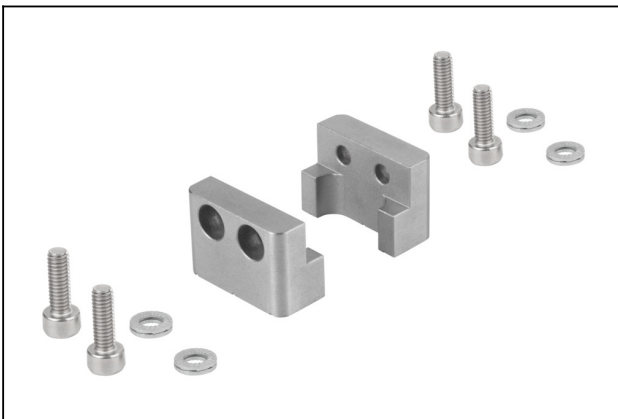
for: Magnetic gripper

Size: 30

External diameter D: 29.5 mm

Internal diameter d: 20.5 mm

## Accessories



### SCHUTZ SGM-30 ST

Part no.10.01.17.00522

Protection element for gripping surface for handling hard and rough workpieces

for: Magnetic gripper

Size: 30

Material: Steel



### NAEH-SCHA SMAGN-PNP S051

Part no.10.01.17.00199

Proximity switch

Type: Magn. cylind. sensor-PNP

Voltage: 15-30V DC

Electrical connection:

Male connect M12, 4 pol

## Magnetic gripper

SGM-HP 30 G1/8-IG

Part no.:10.01.17.00316

<https://www.schmalz.com/10.01.17.00316>



### NAEH-SCHA SMAGN-NPN S050

Part no.10.01.17.00215

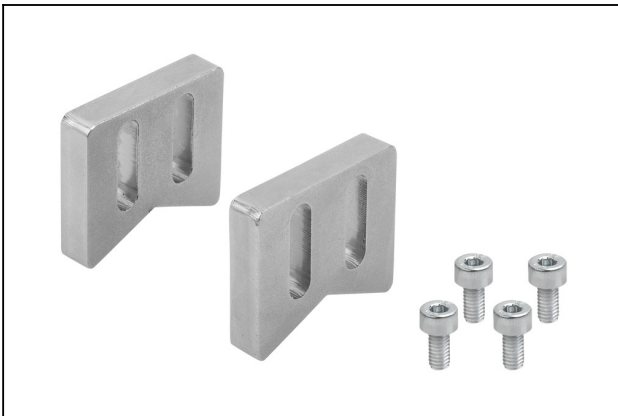
Proximity switch

Type: Magn. cylind. sensor-NPN

Voltage: 12-30V DC

Electrical connection:

Male connect M12, 4 pol



### ADP-E-TRI 30/40 SET

Part no.10.01.17.00421

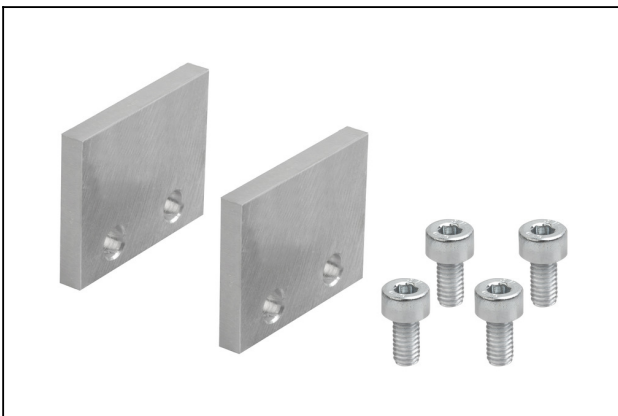
Lifting elements for cylindrical parts and for expanding the gripping surface for flat components

Size: 30/40

Shape: triangle

Workpiece diameter (min): 10 mm

Workpiece diameter (max): 20 mm



### ADP-E-UNI 30/40 SET

Part no.10.01.17.00423

Lifting elements for uneven parts. For customer adaption to the part contour.

Size: 30/40

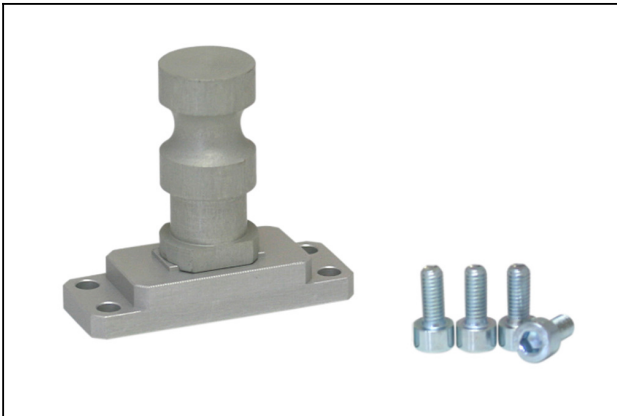
Shape: Rectangular

## Magnetic gripper

SGM-HP 30 G1/8-IG

Part no.:10.01.17.00316

<https://www.schmalz.com/10.01.17.00316>



### HTS-A2 AP SGM 30/40

Part no.10.01.17.00416

Holder system

Cross-beam connection:

Bolt with slot Ø19mm

Shape: with adapterplate  
for: Magnetic gripper

Size: 30/40



### HTS-A3 AP SGM 30/40

Part no.10.01.17.00378

Holder system

Cross-beam connection:

Ball head 28.5 mm

Shape: with adapterplate  
for: Magnetic gripper

Size: 30/40