

Suction cup connection nipple

SA-NIP N034 G1/4-IG DN550

Part no.:10.01.01.00819

<https://www.schmalz.com/10.01.01.00819>

Homepage > Vacuum Technology for Automation > Vacuum Components > Vacuum Suction Cups > Suction Cups for Plastic Films and Paper >

SA-NIP N034 G1/4-IG DN550

Suction cup connection nipple



Nipple: N 034

Thread G1: G1/4"-F

Overall length: 28 mm

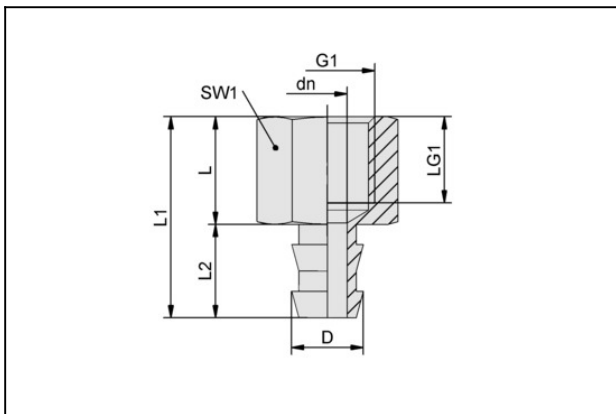
Fitting length: 15 mm

Nominal size: 5,50 mm

Material: Aluminium

Spanner size SW2: 6 mm

Design Data



Attribute	Value
dn	5.5 mm
D	12 mm
G1	G1/4"-F
L	15 mm
L1	28 mm
L2	12 mm
LG1	12 mm
SW1	17 mm
SW2	6 mm

Technical Data

Suction cup connection nipple

SA-NIP N034 G1/4-IG DN550

Part no.:10.01.01.00819

<https://www.schmalz.com/10.01.01.00819>



Attribute	Value
Nipple family	N 034
Material	Aluminum
Weight	8 g

