

Suction cup connection nipple

SA-NIP N034 G1/4-AG DN550

Part no.:10.01.01.00820

<https://www.schmalz.com/10.01.01.00820>

Homepage > Vacuum Technology for Automation > Vacuum Components > Vacuum Suction Cups > Suction Cups for Plastic Films and Paper >

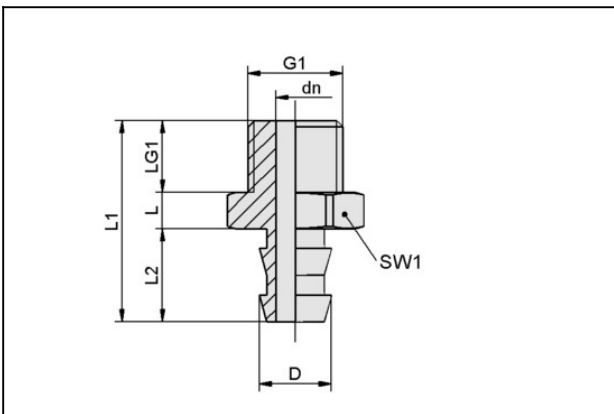
SA-NIP N034 G1/4-AG DN550

Suction cup connection nipple



Nipple: N 034
 Thread G1: G1/4"-M
 Overall length: 28 mm
 Fitting length: 5 mm
 Nominal size: 5,50 mm
 Material: Aluminium
 Spanner size SW2: 6 mm

Design Data



Attribute	Value
dn	5.5 mm
D	12 mm
G1	G1/4"-M
L	5 mm
L1	28 mm
L2	12 mm
LG1	10 mm
SW1	17 mm
SW2	6 mm

Technical Data

Suction cup connection nipple

SA-NIP N034 G1/4-AG DN550

Part no.:10.01.01.00820

<https://www.schmalz.com/10.01.01.00820>



Attribute	Value
Nipple family	N 034
Material	Aluminum
Weight	8 g

