

Suction cup connection nipple

SA-NIP N015 G1/4-AG DN600

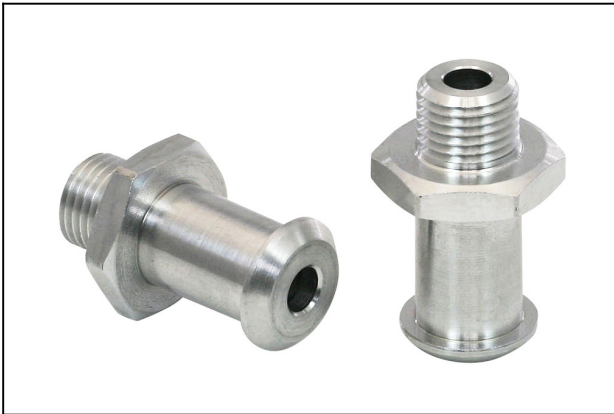
Part no.:10.01.06.00185

<https://www.schmalz.com/10.01.06.00185>

Homepage > Vacuum Technology for Automation > Vacuum Components > Vacuum Suction Cups > Bellows Suction Cups (Round) > SA-NIP

N015 G1/4-AG DN600

Suction cup connection nipple



Nipple: N 015

Thread G1: G1/4"-M

Overall length: 37.5 mm

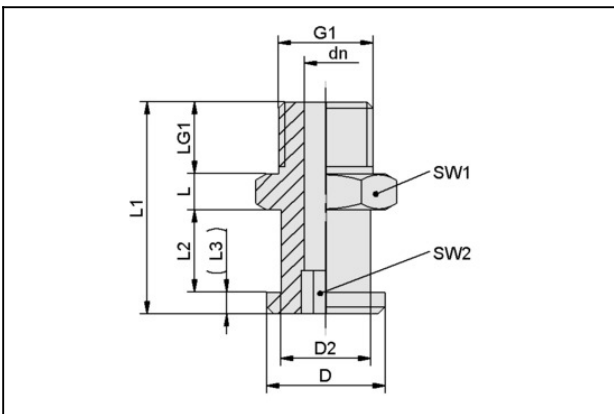
Fitting length: 5 mm

Nominal size: 6,00 mm

Material: Aluminium

Spanner size SW2: 6 mm

Design Data



Attribute	Value
dn	6 mm
D	18 mm
D2	14 mm
G1	G1/4"-M
L	5 mm
L1	37.5 mm
L2	19.5 mm
L3	3 mm
LG1	10 mm
SW1	22 mm
SW2	6 mm

Suction cup connection nipple

SA-NIP N015 G1/4-AG DN600

Part no.:10.01.06.00185

<https://www.schmalz.com/10.01.06.00185>



Technical Data

Attribute	Value
Nipple family	N 015
Material	Aluminum
Weight	16.2 g