

Flat suction cup (round)

PFYN 50 HT1-60 G1/8-AG

Part no.:10.01.01.11141

<https://www.schmalz.com/10.01.01.11141>

Homepage > Vacuum Technology for Automation > Vacuum Components > Vacuum Suction Cups > Flat Suction Cups (Round) > Flat Suction Cups PFYN > PFYN 50 HT1-60 G1/8-AG

Flat suction cup (round) for smooth or slightly rough surfaces



Size: 50

Suction cup material:

High temp material HT1

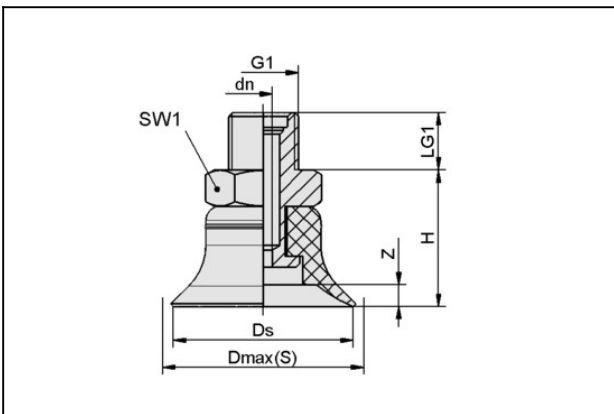
Material hardness: 60 °Sh

Material property: imprint-free

Nipple material: Aluminium

Vacuum connection: G1/8"-M

Design Data



Attribute	Value
dn	2.4 mm
Dmax(S)	53.5 mm
Ds	50 mm
G1	G1/8"-M
H	20 mm
LG1	8 mm
SW1	14 mm
Z (Stroke)	4 mm

Technical Data

Flat suction cup (round)

PFYN 50 HT1-60 G1/8-AG

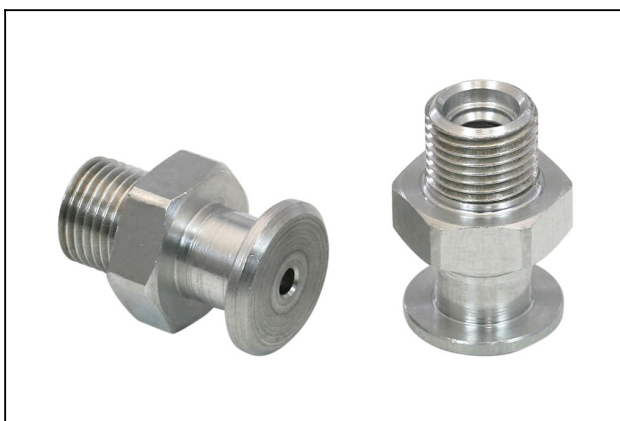
Part no.:10.01.01.11141

<https://www.schmalz.com/10.01.01.11141>

Attribute	Value
Suction force	91 N
Volume	7 cm ³
Curve radius (min) (convex)	75 mm
Hose diameter (empf.) d	4 mm
Size	50
Number of folds	0
Suction cup material	High temp material HT1
Material hardness [Shore A]	60
Weight	15.3 g
Product family	PFYN

Note: Suction force: The specified suction forces are theoretical values at a vacuum of -0.6 bar and with a smooth, dry workpiece surface - they do not include a safety factor
Hose diameter: The recommended hose diameter refers to a hose length of approx. 2 m

Spare Parts



SA-NIP N008 G1/8-AG DN240

Part no.10.01.01.03532

Suction cup connection nipple

Nipple: N 008

Thread G1: G1/8"-M

Overall length: 22 mm

Fitting length: 5 mm

Nominal size: 2,40 mm

Material: Aluminium

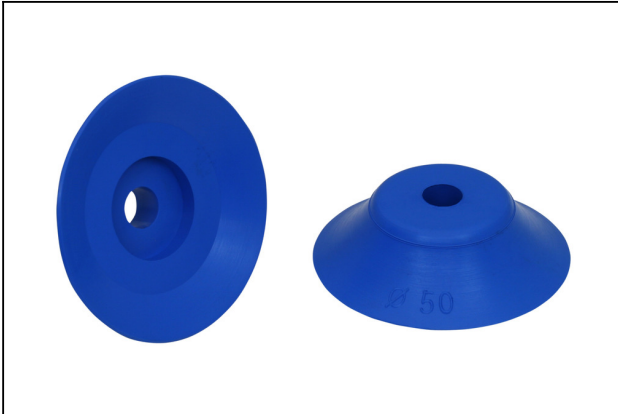
Spanner size SW2: 4 mm

Flat suction cup (round)

PFYN 50 HT1-60 G1/8-AG

Part no.:10.01.01.11141

<https://www.schmalz.com/10.01.01.11141>



PFG 50 HT1-60 N008

Part no.10.01.01.11168

Flat suction cup (round) for smooth or slightly rough surfaces

Size: 50

Suction cup material:

High temp material HT1

Material hardness: 60 °Sh

Material property: imprint-free

Accessories



SU 50

Part no.10.01.01.12837

Cover for suction cup

Size: 50

Clamping range: 45.0 ... 60.0 mm

Temperature resistance: 80 °C