

Flat suction cup (round)

PFG 50 HT1-60 N008

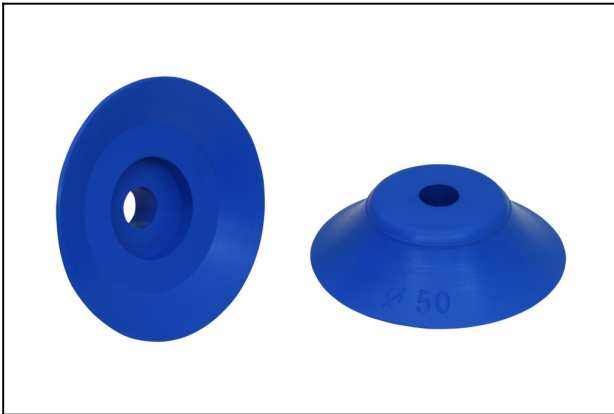
Part no.:10.01.01.11168

<https://www.schmalz.com/10.01.01.11168>

Homepage > Vacuum Technology for Automation > Vacuum Components > Vacuum Suction Cups > Flat Suction Cups (Round) > PFG 50

HT1-60 N008

Flat suction cup (round) for smooth or slightly rough surfaces



Size: 50

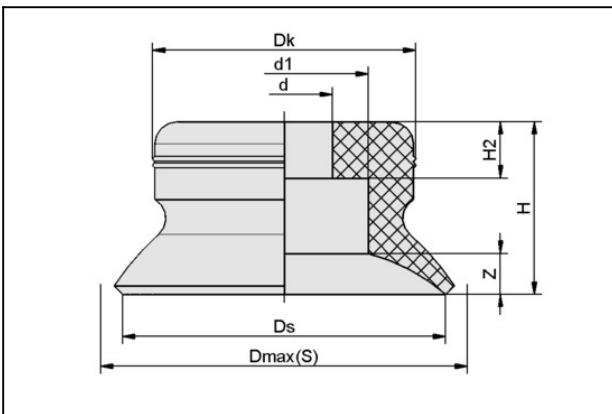
Suction cup material:

High temp material HT1

Material hardness: 60 °Sh

Material property: imprint-free

Design Data



Attribute	Value
d	8 mm
d1	20 mm
Dk	29.1 mm
Dmax(S)	53.5 mm
Ds	50 mm
H	15 mm
H2	7 mm
Z (Stroke)	4 mm

Technical Data

Flat suction cup (round)

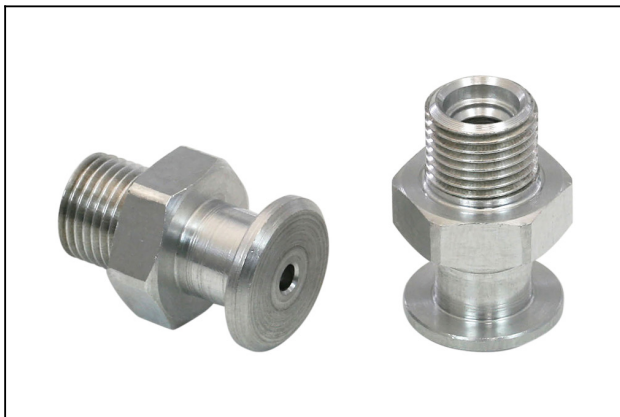
PFG 50 HT1-60 N008

Part no.:10.01.01.11168

<https://www.schmalz.com/10.01.01.11168>

Attribute	Value
Suction force	91 N
Volume	7.076 cm ³
Curve radius (min) (convex)	75 mm
Size	50
Nipple family	N 008
Number of folds	0
Suction cup material	High temp material HT1
Material hardness [Shore A]	60
Weight	10.6 g
Product family	PFG

Accessories



SA-NIP N008 G1/8-AG DN240

Part no.10.01.01.03532

Suction cup connection nipple

Nipple: N 008

Thread G1: G1/8"-M

Overall length: 22 mm

Fitting length: 5 mm

Nominal size: 2,40 mm

Material: Aluminium

Spanner size SW2: 4 mm

Flat suction cup (round)

PFG 50 HT1-60 N008

Part no.:10.01.01.11168

<https://www.schmalz.com/10.01.01.11168>



SA-NIP N008 G1/8-IG DN350

Part no.10.01.01.03524

Suction cup connection nipple

Nipple: N 008

Thread G1: G1/8"-F

Overall length: 25 mm

Fitting length: 16 mm

Nominal size: 3,50 mm

Material: Aluminium

Spanner size SW2: 4 mm



SU 50

Part no.10.01.01.12837

Cover for suction cup

Size: 50

Clamping range: 45.0 ... 60.0 mm

Temperature resistance: 80 °C