

## Bellows suction cup (round)

FGA 63 NK-45 N018

Part no.:10.01.06.00690

<https://www.schmalz.com/10.01.06.00690>

Homepage > Vacuum Technology for Automation > Vacuum Components > Vacuum Suction Cups > Bellows Suction Cups (Round) > FGA 63 NK-45 N018

### Bellows suction cup (round) with optimal adaptation to uneven surfaces



Size: 63

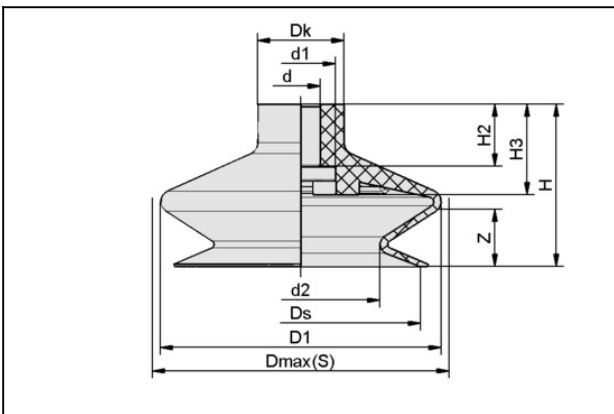
Suction cup material:

Natural Rubber NK

Material hardness: 45 °Sh

Number of folds: 1.5

### Design Data



Attribute	Value
d	8 mm
d1	14.5 mm
d2	44.5 mm
D1	67 mm
Dk	18 mm
Dmax(S)	68 mm
Ds	60 mm
H	34 mm
H2	13 mm
H3	18.8 mm
Z (Stroke)	15.2 mm

## Bellows suction cup (round)

FGA 63 NK-45 N018

Part no.:10.01.06.00690

<https://www.schmalz.com/10.01.06.00690>

### Technical Data

Attribute	Value
Number of folds	1.5
Suction force	85 N
Size	63
Suction cup material	Natural Rubber NK
Weight	20.3 g
Curve radius (min) (convex)	75 mm
Product family	FGA

### Accessories



#### SA-NIP N018 G1/4-AG DN440

Part no.10.01.06.01065

Suction cup connection nipple

Nipple: N 018

Thread G1: G1/4"-M

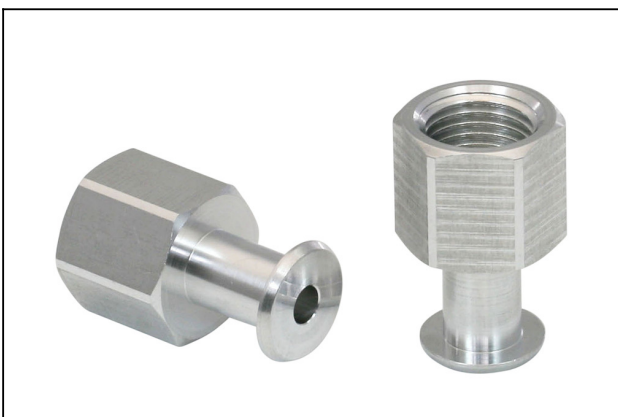
Overall length: 28.8 mm

Fitting length: 4 mm

Nominal size: 4,40 mm

Material: Aluminium

Spanner size SW2: 5 mm



#### SA-NIP N018 G1/4-IG DN440

Part no.10.01.06.01066

Suction cup connection nipple

Nipple: N 018

Thread G1: G1/4"-F

Overall length: 28.8 mm

Fitting length: 15 mm

Nominal size: 4,40 mm

Material: Aluminium

Spanner size SW2: 5 mm

## Bellows suction cup (round)

FGA 63 NK-45 N018

Part no.:10.01.06.00690

<https://www.schmalz.com/10.01.06.00690>

---

