

Pressure-reduction valve

DM 0.5...10 G1/2-IG

Part no.:10.07.11.00025

<https://www.schmalz.com/10.07.11.00025>

Homepage > Vacuum Technology for Automation > Vacuum Components > Switches and System Monitoring > Measuring and Control Devices

> Pressure-Reduction Valves DM > DM 0.5...10 G1/2-IG

Pressure-reduction valve



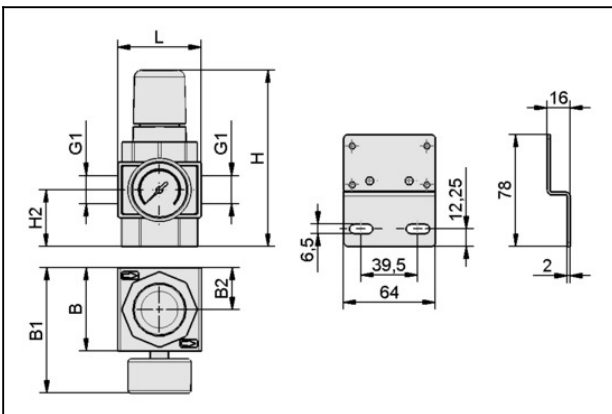
Work area: 0.5 ... 10.0 bar

Connection: G1/2"-F

with: Manometer

Flow rate (max): 78 m³/h

Design Data



Attribute	Value
B	64 mm
B1	96 mm
B2	32 mm
G1	G1/2"-F
H	135.5 mm
H2	43.5 mm
L	64 mm

Technical Data

Attribute	Value
Work area	0.5...10.0

Pressure-reduction valve

DM 0.5...10 G1/2-IG

Part no.:10.07.11.00025

<https://www.schmalz.com/10.07.11.00025>



Attribute	Value
Flow rate max.	1,300 l/min
Flow rate max.	78 m³/h
Operating temperature	-10 ... 60 °C
Weight	0.74 kg