

PSR-SPP- 24UC/ESAM4/8X1/1X2


Order No.: 2963996

The figure shows a version with a screw connection

<http://eshop.phoenixcontact.de/phoenix/treeViewClick.do?UID=2963996>

Safety relay to emergency stop and safety door monitoring up to SIL 3 or Cat. 4, PL e according to EN ISO 13849, one- or two-channel operation, automatically or manually supervised activation, 8 enabling current paths, nominal input voltage 230 V AC/DC



Commercial data	
GTIN (EAN)	 4 017918 904814
sales group	G504
Pack	1 pcs.
Customs tariff	85364900
Catalog page information	Page 13 (IF-2011)

Product notesWEEE/RoHS-compliant since:
03/24/2006

<http://www.download.phoenixcontact.com>
Please note that the data given here has been taken from the online catalog. For comprehensive information and data, please refer to the user documentation. The General Terms and Conditions of Use apply to Internet downloads.

Technical data	
Input data	
Nominal input voltage U_N	24 V AC/DC
Input voltage range in reference to U_N	0.85 ... 1.1

Typical input current at U_N	210 mA AC
	120 mA DC
Voltage at input/start and feedback circuit	Approx. 24 V DC
Typical response time	60 ms (man. start)
	250 ms (Auto-start)
Typical release time	20 ms
Concurrence input 1/2	Infinite
Recovery time	1 s
Max. permissible overall conductor resistance	Approx. 11 Ω (Input and start circuits at U_N)

Output data

Contact type	8 enabling current paths, 1 signaling current path
Contact material	AgSnO ₂ , + 0.2 μ m Au
Maximum switching voltage	250 V AC/DC
Minimum switching voltage	15 V AC/DC
Limiting continuous current	6 A
Maximum inrush current	6 A
Inrush current, minimum	25 mA
Sq. Total current	50 A ² ($I_{TH}^2 = I_1^2 + I_2^2 + \dots + I_8^2$)
Interrupting rating (ohmic load) max.	144 W (24 V DC, $\tau = 0$ ms)
	288 W (48 V DC, $\tau = 0$ ms)
	110 W (110 V DC, $\tau = 0$ ms)
	88 W (220 V DC, $\tau = 0$ ms)
	1500 VA (250 V AC, $\tau = 0$ ms)
Maximum interrupting rating (inductive load)	42 W (24 V DC, $\tau = 40$ ms)
	42 W (48 V DC, $\tau = 40$ ms)
	42 W (110 V DC, $\tau = 40$ ms)
	42 W (220 V DC, $\tau = 40$ ms)
Switching capacity min.	0.4 W
Output fuse	6 A fast blow
	C6 (24 V AC/DC) automatic device

General data

Width	45 mm
Height	112 mm
Depth	114.5 mm

Ambient temperature (operation)	-20 °C ... 55 °C
Ambient temperature (storage/transport)	-40 °C ... 70 °C
Relay type	Electromechanically forcibly guided, dust-proof relay.
Mechanical service life	Approx. 10 ⁷ cycles
Mounting position	Any
Category in acc. with EN 954-1	4
Stop category	0
Name	Air and creepage distances between the power circuits
Standards/regulations	DIN EN 50178/VDE 0160
Rated surge voltage / insulation	4 kV / Basic insulation, (safe isolation, reinforced insulation and 6 kV between input circuit and enabling current paths (63/64, 73/74, 83/84) and between 63/64, 73/74, 83/84 between each other.)
Rated insulation voltage	250 V
Pollution degree	2
Surge voltage category	III

Connection data

Conductor cross section solid min.	0.2 mm ²
Conductor cross section solid max.	1.5 mm ²
Conductor cross section stranded min.	0.2 mm ²
Conductor cross section stranded max.	1.5 mm ²
Conductor cross section AWG/kcmil min.	24
Conductor cross section AWG/kcmil max	16
Stripping length	8 mm
Connection method	Spring-cage conn.

Certificates / Approvals

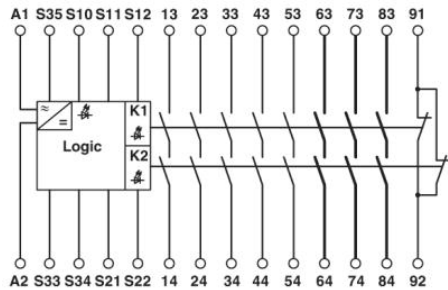


Certification BG, CUL Listed, GOST, UL Listed

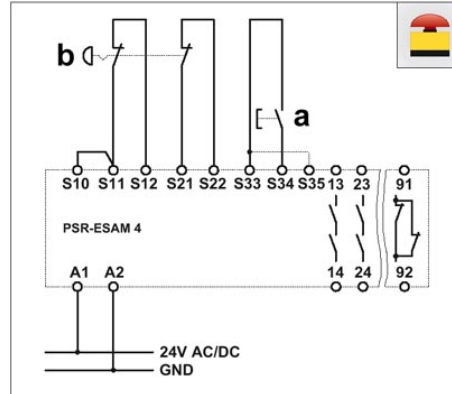
Certifications applied for: TUEV-RH

Diagrams/Drawings

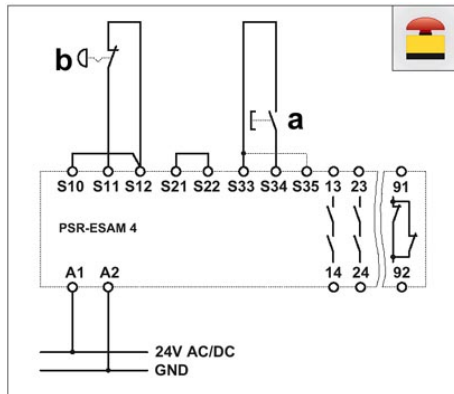
Circuit diagram



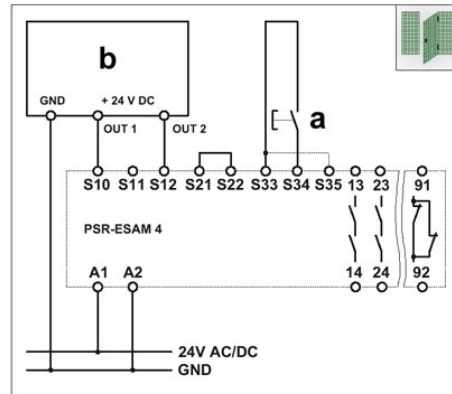
1 = logics



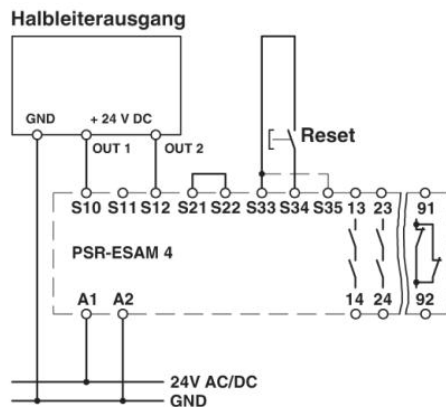
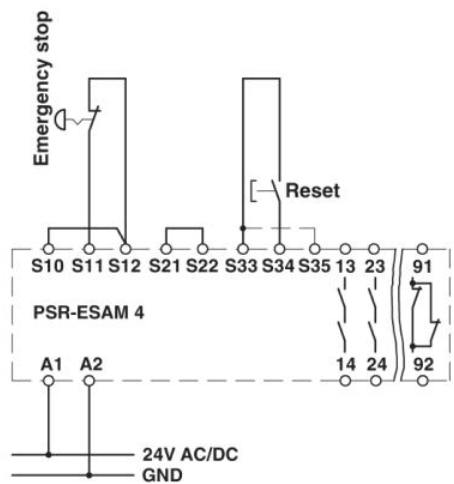
a = RESET
 b = Emergency stop
 Two-channel emergency stop circuit with cross-circuiting detection and monitored reset button, suitable up to safety category 4.



a = RESET
 b = Emergency stop
 Two-channel emergency stop circuit with monitored reset button (bridge on S33/S35: Automatic activation), suitable up to safety category 2.



a = RESET
 b = semiconductor input
 Two-channel limit switch monitoring with semiconductor output and monitored reset button (automatic activation: Bridge S33/S35), suitable up to safety category 4 depending on the limit switch.



Address

PHOENIX CONTACT Inc., USA
586 Fulling Mill Road
Middletown, PA 17057, USA
Phone (800) 888-7388
Fax (717) 944-1625
<http://www.phoenixcon.com>



© 2011 Phoenix Contact
Technical modifications reserved;