

EWELLIX

A Schaeffler Company

Linear actuator CAHB series



Contents

Introduction to CAHB series	4
Performance overview of the CAHB series.....	5
CAHB-10.....	6
CAHB-20A.....	12
CAHB-20E and -20S.....	16
CAHB-21E and -21S	20
CAHB-22E and -22S.....	24
Electrical specifications (valid for CAHB-20E, -21E and -22E)	28
Electrical specifications (valid for CAHB-20S, -21S and -22S)	30
Attachment options (valid for CAHB-20, -21, -22 E and S)	32
List of functions (valid for CAHB-20S, -21S and -22S)	35
CAHB-30A.....	42
CAHB-31N.....	46
CAHB series - Environmental tests.....	50

CAHB series

Linear actuator

CAHB series with 7 families of linear actuator, virtually maintenance-free, self-locking up to 2 times the rated load and up to IP69K/66M, covers low, medium and high loads for mobile applications,

Additional design options are available like limit switches, positioning feedback and manual override.

The smart CAHB-20S, CAHB-21S and CAHB-22S offer unique features at a competitive cost with integrated controller and advanced functions.



Features

New smart version CAHB-20S, -21S and -22S

- Integrated controller with I/O and CAN bus SAE J1939
- Motion with soft start/soft stop, adjustable end stop and parallel movement
- Key actuator functions monitoring with diagnostic

For all versions

- Electronic or mechanical overload protection and thermal protection
- Long stroke and high speed
- High holding force up to 20 000 N
- Low backlash
- Absolute or incremental Position feedback and limit switches option
- Manual override option
- Ingress protection IP69K/66M with vent
- Anti-rotation with free spinning (option for E design)
- Stainless steel push tube with anti rotation, free spinning attachment and corrosion protected metal parts
- Wide temperature range (-40 to 85 °C)
- High efficiency
- Virtually maintenance-free
- Mechanical, electrical and climatic tests

See **pages 50 to 55** for test results.

Benefits

- Higher productivity with fast and smooth movement
- Easy and quick integration into customer equipment
- Higher reliability and protection
- Cost effective and virtually maintenance-free
- Monitoring and onboard diagnostic

Performance overview of the CAHB series

Family	Version	Rated force	Speed (up to)	Max stroke	Voltage	Smart	Page
		N	mm/s	mm	V	Integrated controller	
CAHB-10 xx A	CAHB-10-x1A	120	56	300	12 or 24 VDC	No	6
	CAHB-10-x2A	240	30	300	12 or 24 VDC	No	
	CAHB-10-x3A	500	16	300	12 or 24 VDC	No	
	CAHB-10-x4A	750	10	300	12 or 24 VDC	No	
	CAHB-10-x5A	1 000	8	300	12 or 24 VDC	No	
	CAHB-10-x6A	1 500	8	300	12 or 24 VDC	No	
CAHB-20 xx A	CAHB-20-x1A	1 500	33	610	12 or 24 VDC	No	12
	CAHB-20-x2A	2 500	17	610	12 or 24 VDC	No	
CAHB-20 xx E/S	CAHB-20-x1E or S	1 500	31	700	12 or 24 or 48 or 24-48 VDC	Yes	16
	CAHB-20-x2E or S	2 500	23	700	12 or 24 or 48 or 24-48 VDC	Yes	
	CAHB-20-x3E or S	4 500	13	700	12 or 24 or 48 or 24-48 VDC	Yes	
CAHB-21 xx E/S	CAHB-21-x1E or S	1 500	51	700	12 or 24 or 48 or 24-48 VDC	Yes	20
	CAHB-21-x2E or S	2 500	41	700	12 or 24 or 48 or 24-48 VDC	Yes	
	CAHB-21-x3E or S	4 500	23	700	12 or 24 or 48 or 24-48 VDC	Yes	
CAHB-22 xx E/S	CAHB-22-x1E or S	2 300	57	700	12 or 24 or 48 or 24-48 VDC	Yes	24
	CAHB-22-x2E or S	3 500	45	700	12 or 24 or 48 or 24-48 VDC	Yes	
	CAHB-22-x3E or S	6 800	22	610	12 or 24 or 48 or 24-48 VDC	Yes	
	CAHB-22-x4E or S	10 000	13	450	12 or 24 or 48 or 24-48 VDC	Yes	
CAHB-30 xx A	CAHB-30-x1A	1 500	26	610	115 VAC / 60 Hz or 230 VAC / 50Hz	No	42
	CAHB-30-x2A	2 300	13	610	115 VAC / 60 Hz or 230 VAC / 50Hz	No	
CAHB-31 xx N	CAHB-31-x1N	2 300	57	610	115 VAC / 60 Hz or 230 VAC / 50Hz	No	46
	CAHB-31-x2N	4 500	28	610	115 VAC / 60 Hz or 230 VAC / 50Hz	No	
	CAHB-31-x3N	6 000	15	610	115 VAC / 60 Hz or 230 VAC / 50Hz	No	



CAHB-10

Linear actuator

Benefits

- Designed and tested under demanding conditions
- Reliable and cost-effective
- Reduced overall set time
- Virtually maintenance-free

Features

- Compact and robust design, IP66S/69K, wide temperature range and corrosion resistant
- Integrated limit switches, optional absolute or incremental positioning feedback
- Integrated thermal protection



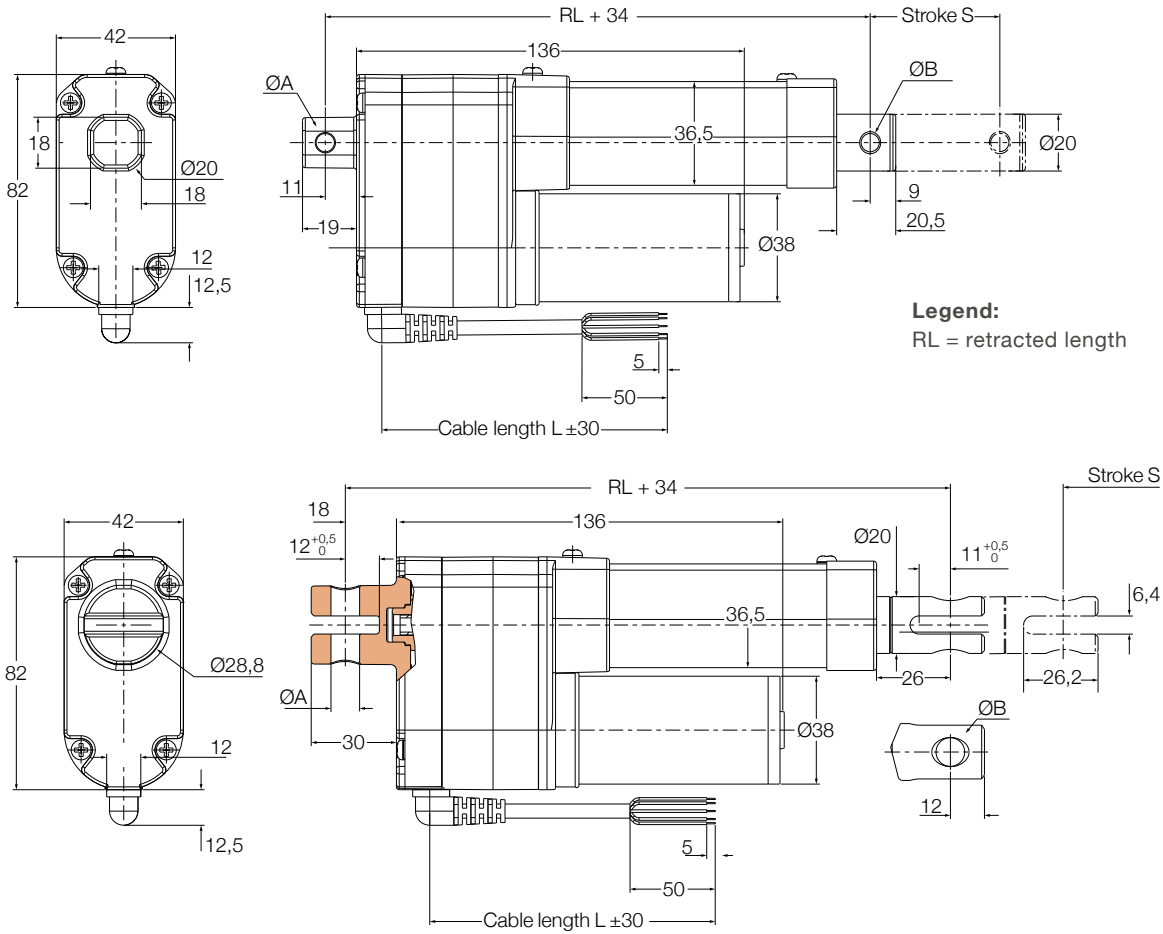
Technical data

Designation	Unit	CAHB-10... 1	CAHB-10... 2	CAHB-10... 3	CAHB-10... 4	CAHB-10... 5	CAHB-10... 6
Rated push force	N	120	240	500	750	1 000	1 500
Rated pull force	N	120	240	500	750	1 000	1 500
Holding force ¹⁾	N	2 500	2 500	2 500	2 500	2 500	2 500
Speed (full load to no load)	mm/s	45 to 56	24 to 30	13 to 16	8 to 10	6 to 8	5 to 8
Stroke	mm	50 to 300	50 to 300	50 to 300	50 to 300	50 to 300	50 to 300
Voltage	V DC	12 or 24	12 or 24	12 or 24	12 or 24	12 or 24	12 or 24
Nominal current 12 V DC	A	4	3,5	3,2	3	2,8	4,4
24V DC	A	2,2	2	1,8	1,8	1,6	2,8
Duty cycle	%	25	25	25	25	25	20
Ambient temperature	°C	-40 to +85	-40 to +85	-40 to +85	-40 to +85	-40 to +85	-40 to +85
Type of protection	IP	66s/69k	66s/69k	66s/69k	66s/69k	66s/69k	66s/69k
Weight (at 300 mm stroke)	kg	1,5	1,5	1,5	1,5	1,5	1,5
Color	-	Silver	Silver	Silver	Silver	Silver	Silver
Limit switches	-	Yes	Yes	Yes	Yes	Yes	Yes
Thermal protection	-	Yes	Yes	Yes	Yes	Yes	Yes

¹⁾ The holding force is the highest load a powered-down actuator can statically hold without slipping backwards..

Dimensional drawing

Optional potentiometer and absolut analogue



Front / Rear attachment	Ø A	Ø B
Rod end with hole (A)	6,4 (0, +0,1)	6,4 (0, +0,1)
Rod end with hole (B)	8,0 (0, +0,1)	8,0 (0, +0,1)
Fork head with hole, (C)	10,1 (0, +0,1)	10,1 (0, +0,1)

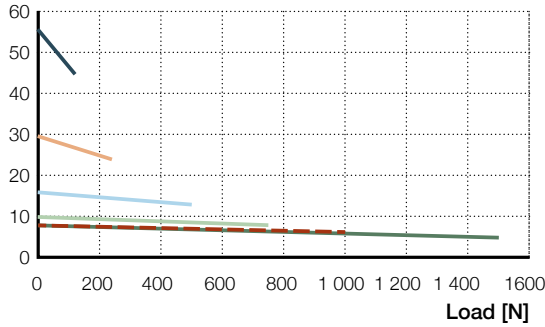
	RL tolerance	S tolerance
CAHB10...1 and 2	(-5, +1)	(-1, +5)
CAHB10...3 and 4	(-3, +3)	(-3, +3)
CAHB10...5 and 6	(-2, +4)	(-4, +2)

Retracted length calculation (RL)

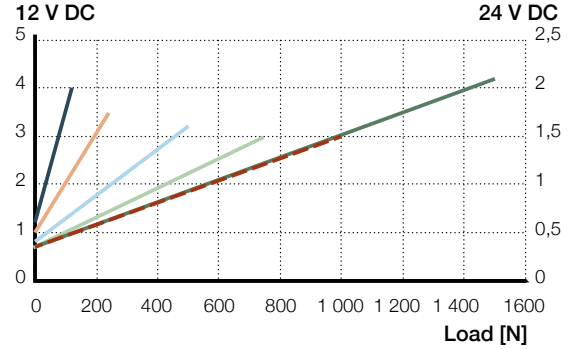
Stroke [mm]	50	100	150	200	250	300
Retracted length (RL) with Rod end (Front) + Rod end (Rear)	192	243	294	345	396	447
Retracted length (RL) with Rod end (Front) + Fork head (Rear)	199	250	301	352	403	454
Retracted length (RL) with Fork head (Front) + Rod end (Rear)	206	257	308	359	410	461
Retracted length (RL) with Fork head (Front) + Fork head (Rear)	213	264	315	366	417	468

Performance diagrams

Speed-load diagram
Speed [mm/s]



Current-load diagram
Nominal current [A]
12 V DC



- CAHB-10...1
- CAHB-10...3
- - - CAHB-10...5
- CAHB-10...2
- CAHB-10...4
- CAHB-10...6

Encoder resolution

Type	CAHB-10...1	CAHB-10...2	CAHB-10...3	CAHB-10...4	CAHB-10...5/6
mm/pulse	0,3	0,15	0,075	0,05	0,0375

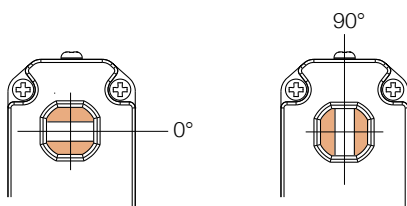
Potentiometer resolution

Stroke [mm]	50~80	80~160	160~300
Minimum resistance value of potentiometer	700~1 300 Ω	700~1 300 Ω	700~1 300 Ω
Potentiometer resolution	100 Ω/mm	50 Ω/mm	16,6 Ω/mm

Absolute analog output

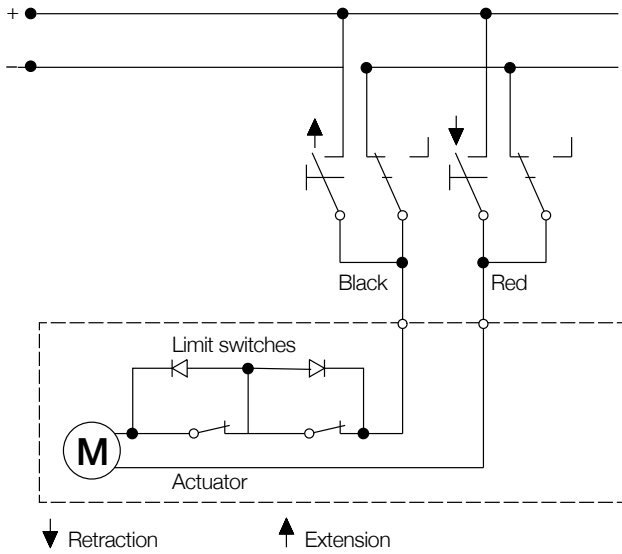
Stroke [mm]	50~80	80~160	160~300
Initial value VS RL position (V)	0,5	0,5	0,5
Resolution (mm)	0,024	0,049	0,146
Position feedback change (V/mm)	0,05	0,025	0,0083

Attachment orientation (refer to ordering key Attachment orientation)

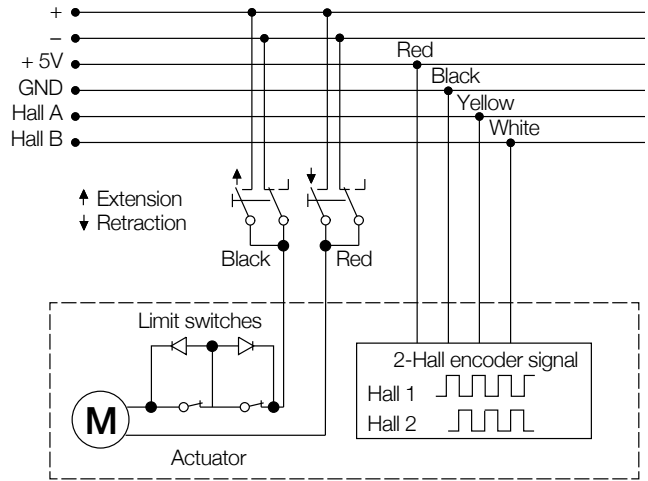


Connecting diagram

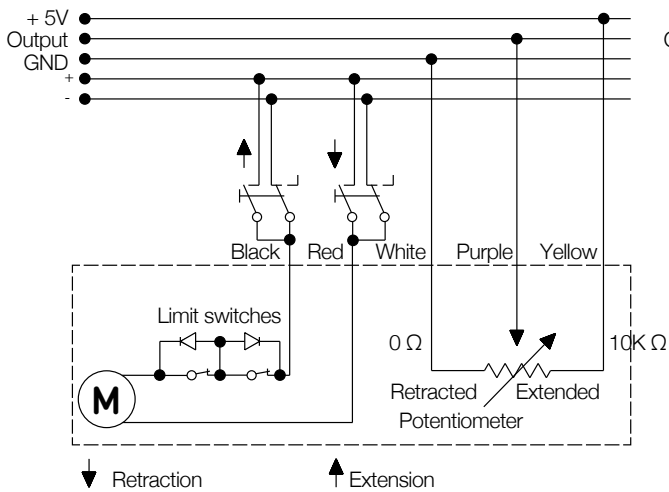
Basic configuration 12/24 V DC



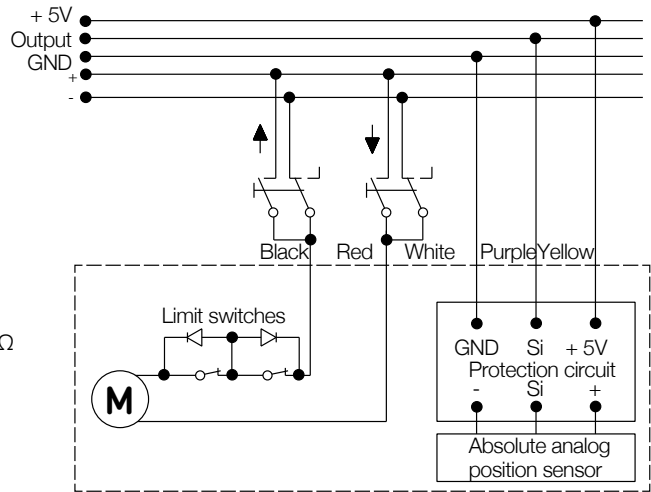
2-Hall encoder 12/24 V DC



Potentiometer 12/24 V DC



Absolute analog output 12/24 V DC



CAHB-20A

Linear actuator

Benefits

- Compact design which has been tested for vigorous use
- Robust and reliable
- Thermal protection and virtually maintenance-free

Features:

- Integrated overload and thermal protection
- Robust design
- IP66
- Optional potentiometer and limit switches



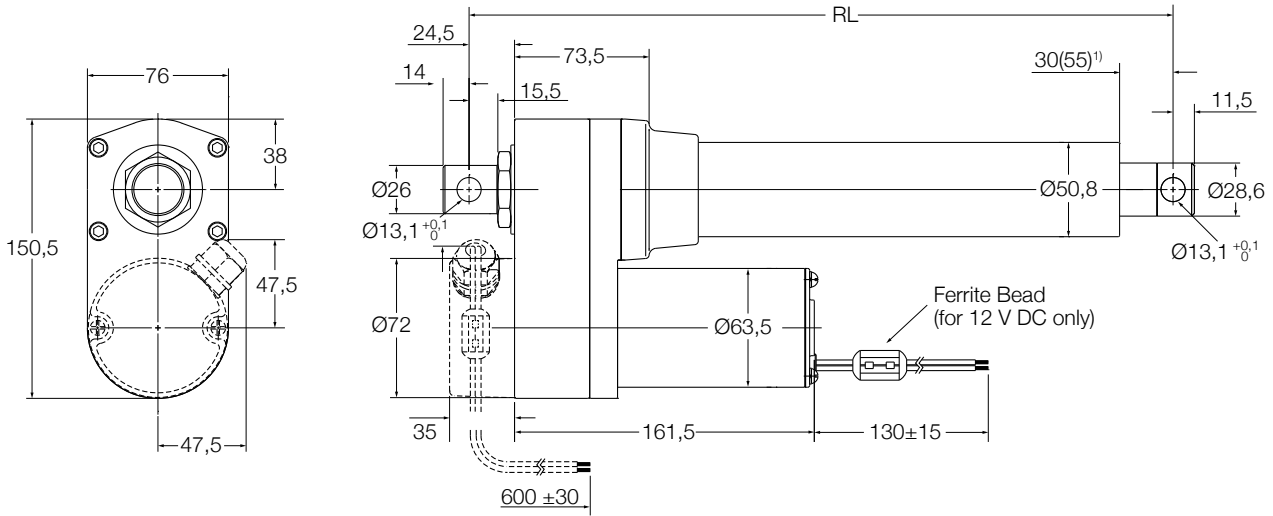
Technical data

Designation	Unit	CAHB-20-x1A	CAHB-20-x2A
Performance data			
Rated push force	N	1 500	2 500
Rated pull force	N	1 500	2 500
Holding force ¹⁾	N	10 000	10 000
Speed (full load to no load)	mm/s	27 to 33	13 to 17
Stroke	mm	102 to 610	102 to 610
Voltage	V DC	12 or 24	12 or 24
Nominal current 12 V DC	A	16	14
24 V DC	A	8	7
Duty cycle	%	25	25
Ambient temperature	°C	-40 to +85	-40 to +85
Type of protection	IP	66	66
Weight (at 305 mm stroke)	kg	5,5	5,5
Color	-	Black	Black

¹⁾ The holding force is the highest load a powered-down actuator can statically hold without slipping backwards.

Dimensional drawing

Basic configuration (dashed line for optional limit switch)



Attachment orientation (see page 14)

¹⁾ 55 = dimension with limit switch

Without limit switch:

RED (+) & BLACK (-) = retraction
 RED (-) & BLACK (+) = extension

With limit switch:

RED (+) & BLACK (-) = extension
 RED (-) & BLACK (+) = retraction

Legend:

RL = retracted length

Retracted length calculation (RL)

Stroke [mm]	With limit switch ¹⁾						Without limit switch ²⁾					
	102	153	204	305	457	610	102	153	204	305	457	610
Retracted length (RL)	338	389	440	592	744	897	262	313	364	465	668	821

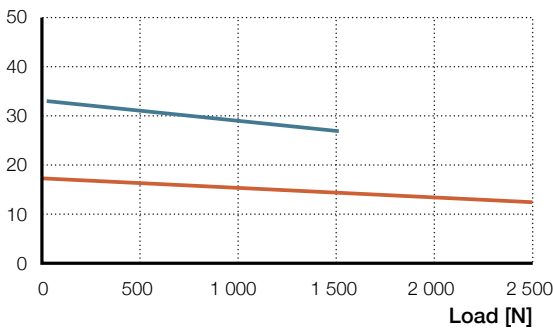
¹⁾ Tolerance: S and RL = ± 5,0 mm (If S ≥ 305 mm, S = ± 7,5 mm)

²⁾ Tolerance: S = ± 2,5 mm and L = ± 3,8 mm

Performance diagrams

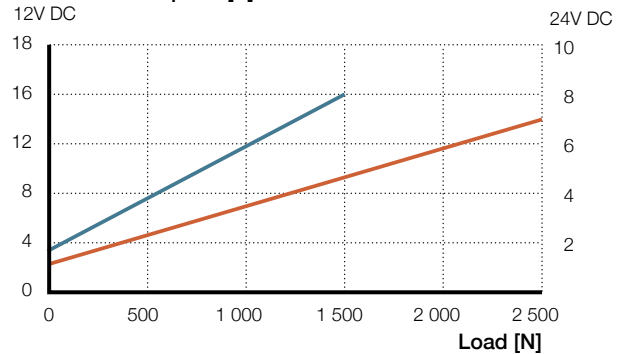
Speed-load diagram

Speed [mm/s]



Current-load diagram

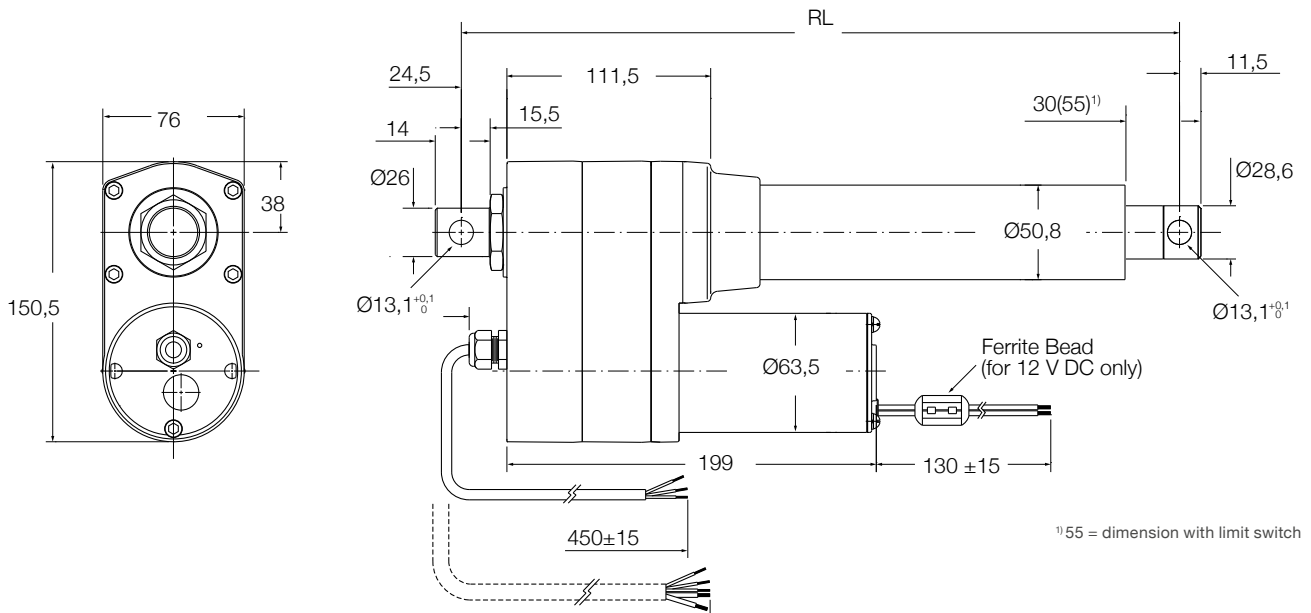
Current consumption [A]



— CAHB-20...1 — CAHB-20...2

Dimensional drawing

Optional potentiometer (dashed line for optional limit switch)



Without limit switch:
 RED (+) & BLACK (-) = retraction
 RED (-) & BLACK (+) = extension

With limit switch:
 RED (+) & BLACK (-) = extension
 RED (-) & BLACK (+) = retraction

Legend:
 RL = retracted length

Retracted length calculation (RL)

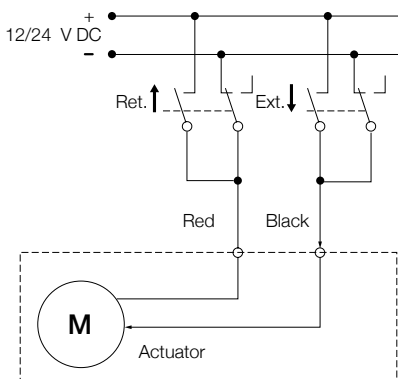
Stroke [mm]	With limit switch ¹⁾						Without limit switch ²⁾					
	102	153	204	305	457	610	102	153	204	305	457	610
Retracted length (RL)	376	427	478	630	782	935	300	351	402	503	706	859

¹⁾ Tolerance: S and RL = ± 5,0 mm (If S ≥ 305 mm, S = ± 7,5 mm)
²⁾ Tolerance: S = ± 2,5 mm and RL = ± 3,8 mm

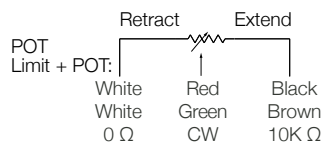
Potentiometer resolution

Stroke [mm]	102	153	204	305	457	610
Ω/mm	59,0	59,0	29,5	29,5	9,84	9,84

Connecting diagram

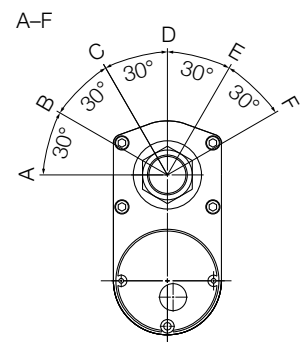


Electrical diagrams



Attachment orientation

(refer to ordering key Attachment orientation)



CAHB-20E and -20S

Linear actuator



Benefits

- High productivity
- Reliability and safety
- Save development time
- Cost effectiveness
- Quick time to market (for Smart version)

Features:

- Holding force
- Overload protection
- Corrosion protection and stainless steel tube
- Manual override option
- Enhanced ingress protection and virtually maintenance free

Smart version S features

- Integrated controller with complete motion control
- True absolute position contactless sensor
- Monitoring and onboard diagnostic (force, voltage, temperature)
- I/O and CAN bus SAE J1939 communication

Technical data

Designation	Unit	CAHB-20E / 12 V			CAHB-20E / 24 V		
Performance data							
Rated Push Force	N	1 500	2 500	4 500	1 500	2 500	4 500
Rated Pull Force	N	1 500	2 500	4 500	1 500	2 500	4 500
Max pull / push Force ¹⁾	N	2 600	3 800	6 300	2 600	3 800	6 300
Holding force ²⁾	N						
Speed without load ³⁾	mm/s	27,0	23,5	13,5	29,0	22,0	13,0
Speed with the rated force ³⁾	mm/s	24,5	17,5	10,5	25,5	19,0	11,0
Electric data							
Nominal voltage	V DC	12	12	12	24	24	24
Nominal current @ rated load ³⁾	A	12,5	15	17	5	6,5	8
Rated current (clutch activation)	A	18,4	21	22,4	6,8	8,8	10,4
Duty cycle	%	10	10	10	20	20	20
ON time / OFF time	s	85/765	85/765	85/765	85/340	85/340	85/340
Mechanical data							
Stroke	mm	50 ... 700	50 ... 700	50 ... 700	50 ... 700	50 ... 700	50 ... 700
Backlash	mm	0,6	0,6	0,6	0,6	0,6	0,6
Weight for 200 mm stroke	kg	4,5	4,5	4,5	4,5	4,5	4,5
Colour	-	Black	Black	Black	Black	Black	Black
Environment and standards							
Ambient temperature ⁴⁾	°C	-40 ... 85	-40 ... 85	-40 ... 85	-40 ... 85	-40 ... 85	-40 ... 85
Degree of protection	-	IP 69K/66M					
Standards / EMC	-	EN61000-6-2:2005, EN61000-6-4:2007/A1:2011					
Salt spray test	-	ISO 9227:2012, 250 hours					

¹⁾ Upper limit of the pull/push force limited by the clutch. The lower limit is just above the rated force. The limitation of the force will happen between these 2 limits

²⁾ The holding force is the highest load a powered-down actuator can statically hold without slipping backwards. Ultimate Static Load, refer to the "Static load" diagrams

³⁾ The data of speed and current on this list is defined at +20 °C

⁴⁾ Full performance from 0 °C to +40 °C

Designation	Unit	CAHB-20E / 48 V		
Performance data				
Rated Push Force	N	1 500	2 500	4 500
Rated Pull Force	N	1 500	2 500	4 500
Max pull / push Force ¹⁾	N	2 600	3 800	6 300
Holding force ²⁾	N			
Speed without load ³⁾	mm/s	31,0	23,0	13,0
Speed with the rated force ³⁾	mm/s	27,5	20,0	11,0
Electric data				
Nominal voltage	V DC	48	48	48
Nominal current @ rated load ³⁾	A	2,6	3,8	4,2
Rated current (clutch activation)	A	4,3	5,6	5,8
Duty cycle	%	20	20	20
ON time / OFF time	s	85/340	85/340	85/340
Mechanical data				
Stroke	mm	50 ... 700	50 ... 700	50 ... 700
Backlash	mm	0,6	0,6	0,6
Weight for 200 mm stroke	kg	4,5	4,5	4,5
Colour	–	Black	Black	Black
Environment and standards				
Ambient temperature ⁴⁾	°C	–40 ... 85	–40 ... 85	–40 ... 85
Degree of protection	–	IP 69K/66M		
Standards / EMC	–	EN61000-6-2:2005, EN61000-6-4:2007/A1:2001		
Salt spray test	–	ISO 9227:2012, 250 hours		

¹⁾ Upper limit of the pull/push force limited by the clutch. The lower limit is just above the rated force. The limitation of the force will happen between these 2 limits

²⁾ The holding force is the highest load a powered-down actuator can statically hold without slipping backwards. Ultimate Static Load, refer to the "Static load" diagrams

³⁾ The data of speed and current on this list is defined at +20 °C

⁴⁾ Full performance from 0 °C to +40 °C

Designation	Unit	CAHB-20S / 12 V			CAHB-20S / 24 – 48 V		
Performance data							
Rated Push Force	N	1 500	2 500	4 500	1 500	2 500	4 500
Rated Pull Force	N	1 500	2 500	4 500	1 500	2 500	4 500
Max pull / push Force ¹⁾	N	2 600	3 800	6 300	2 600	3 800	6 300
Holding force ²⁾	N						
Speed without load ³⁾	mm/s	27,0	23,5	13,5	29,0	22,0	13,0
Speed with the rated force ³⁾	mm/s	24,5	17,5	10,5	25,5	19,0	11,0
Electric data							
Nominal voltage ⁴⁾	V DC	12	12	12	24 – 48	24 – 48	24 – 48
Nominal current ³⁾	A	12,5	15,0	17,0	5,0 – 2,5	6,5 – 3,3	8,0 – 4,0
Max. current, rated current ⁵⁾	A	31,3	31,3	31,3	20,7 – 10,4	20,7 – 10,4	20,7 – 10,4
Duty cycle ⁶⁾	%	10	10	10	20	20	20
ON time / OFF time	s	85/765	85/765	85/765	85/340	85/340	85/340
Mechanical data							
Stroke	mm	50 ... 700	50 ... 700	50 ... 700	50 ... 700	50 ... 700	50 ... 700
Backlash	mm	0,6	0,6	0,6	0,6	0,6	0,6
Max. manual override torque	Nm	1,5	1,2	1,0	1,5	1,2	1,0
Max. manual override speed	rpm	1 600	1 600	1 600	1 600	1 600	1 600
Weight for 200 mm stroke	kg	4,8	4,8	4,8	4,8	4,8	4,8
Colour	–	Black	Black	Black	Black	Black	Black
Environment and standards							
Ambient temperature ⁷⁾	°C	–40 ... 85	–40 ... 85	–40 ... 85	–40 ... 85	–40 ... 85	–40 ... 85
Degree of protection	–	IP69K/66M					
Standards / EMC	–	refer to environmental performances - electrical tests, page 55					
Salt spray test	–	ISO 9227:2012 500 hours					

¹⁾ Upper limit of the pull/push force, limited by the E-clutch.

²⁾ The holding force is the highest load a powered-down actuator can statically hold without slipping backwards. Ultimate static load, refer to the "Static load" diagrams.

³⁾ The data of speed and current on this list is defined temperature at +20°C, PWM 100%

⁴⁾ 12 V version use 12 V DC motor, 24 – 48 V version use 24 V DC motor.

⁵⁾ Max. current is the upper limit of the input current to the actuator. In any circumstances, the current will not exceed to max. current.

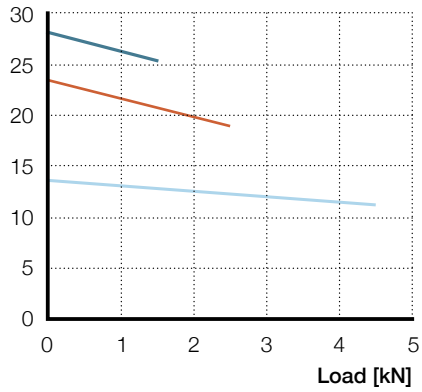
⁶⁾ Duty cycle is defined temperature at +20°C.

⁷⁾ Full performance from 0°C to +40°C

Performance diagrams

Speed-Load diagram

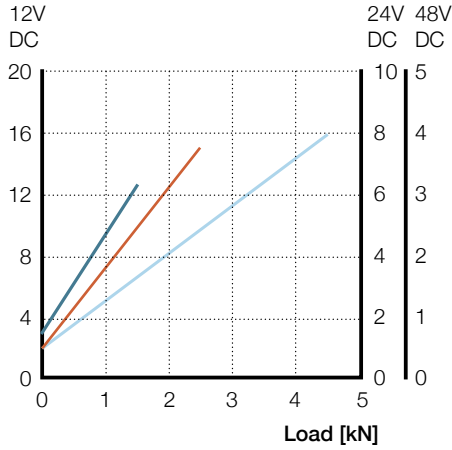
Speed [mm/s]



- CAHB-20-x1E
- CAHB-20-x2E
- CAHB-20-x3E

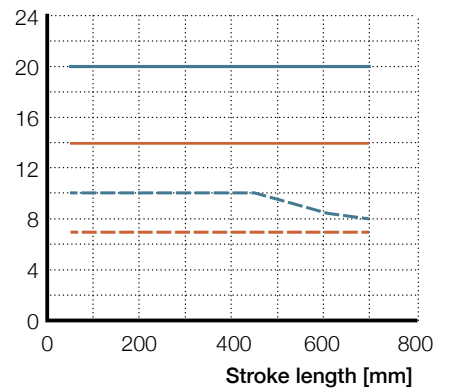
Current-Load diagram

Current consumption [A]



Static load-Stroke length

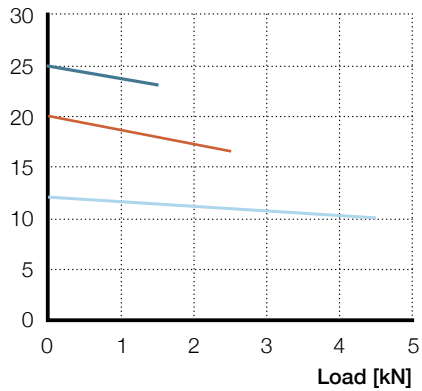
Load [kN]



- Ultimate CAHB-20-xxE (pull)
- - - Ultimate CAHB-20-xxE (push)
- Recommended CAHB 20-xxE (pull)
- - - Recommended CAHB 20-xxE (push)

Speed-Load diagram

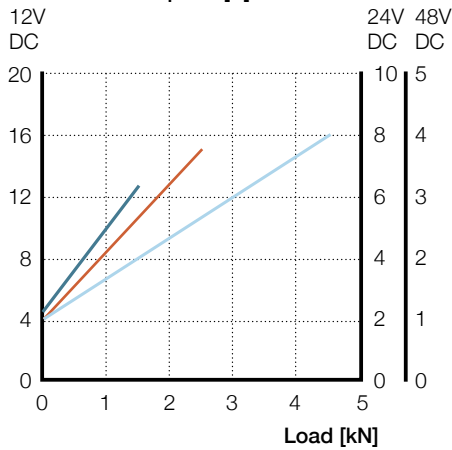
Speed [mm/s]



- CAHB-20-x1S
- CAHB-20-x2S
- CAHB-20-x3S

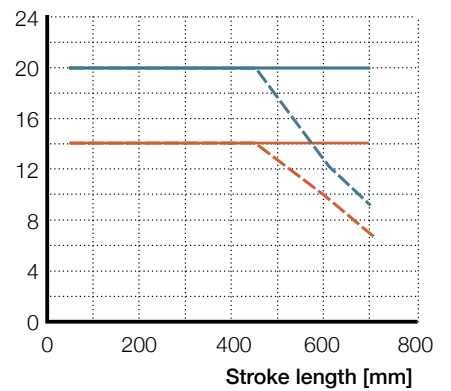
Current-Load diagram

Current consumption [A]



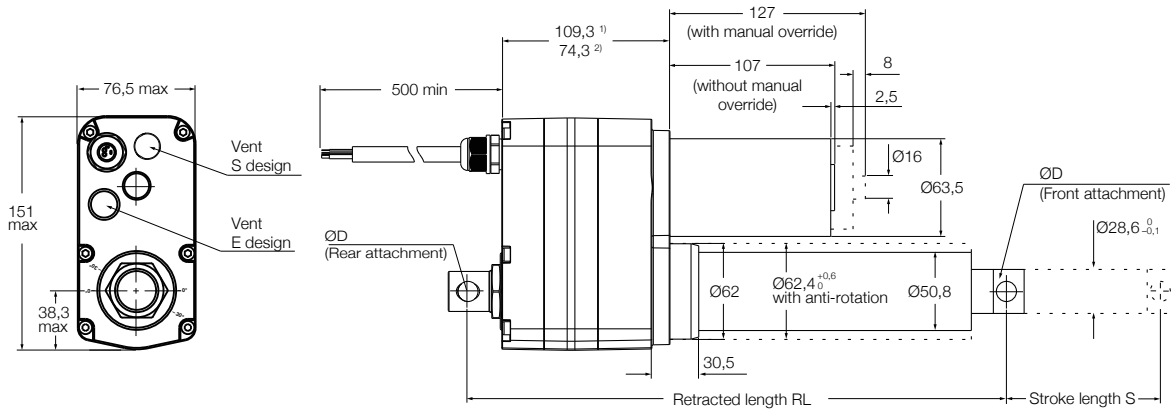
Static load-Stroke length

Load [kN]



- Ultimate CAHB-20-xxS (pull)
- - - Ultimate CAHB-20-xxS (push)
- Recommended CAHB-20-xxS (pull)
- - - Recommended CAHB-20-xxS (push)

Dimensional drawing CAHB-20E and -20S



¹⁾ 109,3 for E design with position output
²⁾ 74,3 for E design without position output and S design

	Stroke tolerance	Retracted length tolerance
E design	±2	±2
S design	±1	±1

Retracted length calculation (RL)

Stroke [mm]	Baseline: Rod with hole attachment		Fork head attachment	Anti-rotation tube with free spinning front attachment		Rod end Spherical plain bearing with anti rotation tube	
	50-305	306-700	50-700	50-305	306-700	50-305	306-700
CAHB-20E							
Retracted length (RL) no position output ¹⁾	160 + S	211 + S	+12	+5	-11	+47	+19
Retracted length (RL) with position output ²⁾	195 + S	246 + S	+12	+5	-11	+47	+19
CAHB-20S							
Retracted length (RL)	167+S	202+S	+12	+0	+0	+43	+33

Example for Ordering key, in red baseline configuration:

¹⁾ **160 + 50** (stroke) **+12** (Fork head attachment) **+5** (Anti-rotation tube with free spinning front attachment) = **227**

²⁾ **246 + 400** (stroke) **+19** (Rod end Spherical plain bearing with anti rotation tube)= **665**

CAHB-21E and -21S

Linear actuator



Benefits

- High productivity
- Reliability and safety
- Save development time
- Cost effectiveness
- Quick time to market (for Smart version)

Features:

- High holding force
- High speed
- Mechanical overload protection
- Corrosion protection and stainless steel tube
- Manual override option
- Enhanced ingress protection, virtually maintenance free

Smart version S features

- Integrated controller with complete motion control
- True absolute position contactless sensor
- Monitoring and on board diagnostic (force, voltage, temperature)
- I/O and CAN bus SAE J1939 communication

Technical data

Designation	Unit	CAHB-21E / 12 V			CAHB-21E / 24 V		
Performance data							
Rated Push Force	N	1 500	2 500	4 500	1 500	2 500	4 500
Rated Pull Force	N	1 500	2 500	4 500	1 500	2 500	4 500
Max pull / push Force ¹⁾	N	2 500	3 600	6 300	2 500	3 600	6 300
Holding force ²⁾	N						
Speed without load ³⁾	mm/s	49,5	37	24,0	52,5	38	22,5
Speed with the rated force ³⁾	mm/s	43	31,5	19,0	50	31,5	21,0
Electric data							
Nominal voltage	V DC	12	12	12	24	24	24
Nominal current @ rated load ³⁾	A	14,5	16	19	7	7,5	10,5
Rated current (clutch activation)	A	19,2	20,2	24,8	9,1	9,3	13,7
Duty cycle ⁴⁾	%	10	10	10	20	20	20
ON time / OFF time	s	85/765	85/765	85/765	85/340	85/340	85/340
Mechanical data							
Stroke	mm	50 ... 700	50 ... 700	50 ... 700	50 ... 700	50 ... 700	50 ... 700
Backlash	mm	0,6	0,6	0,6	0,6	0,6	0,6
Weight for 200 mm stroke	kg	4,8	4,8	4,8	4,8	4,8	4,8
Colour	-	Black	Black	Black	Black	Black	Black
Environment and standards							
Ambient temperature ⁵⁾	°C	-25...85	-25...85	-25...85	-25...85	-25...85	-25...85
Degree of protection	-	IP 69K/66M					
Standards / EMC	-	EN61000-6-2:2005, EN61000-6-4:2007/A1:2011					
Salt spray test	-	ISO 9227:2012, 250 hours					

¹⁾ Upper limit of the pull/push force limited by the clutch. The lower limit is just above the rated force. The limitation of the force will happen between these 2 limits

²⁾ The holding force is the highest load a powered-down actuator can statically hold without slipping backwards. Ultimate Static Load, refer to the "Static load" diagrams

³⁾ The data of speed and current on this list is defined at +20 °C

⁴⁾ Duty cycle: actuator output force and actuator movement are in the same waydirect, otherwise, duty cycle is 10% (25 s ON / 225 s OFF)

⁵⁾ Full performance from 0 °C to +40 °C contact Ewellix for application operating at low temperature (-40 to -25°C)

Designation	Unit	CAHB-21E / 48 V		
Performance data				
Rated Push Force	N	1 500	2 500	4 500
Rated Pull Force	N	1 500	2 500	4 500
Max pull / push Force ¹⁾	N	2 500	3 600	6 300
Holding force ²⁾	N			
Speed without load ³⁾	mm/s	51,5	41,0	23,5
Speed with the rated force ³⁾	mm/s	46,0	33,5	19,0
Electric data				
Nominal voltage	V DC	48	48	48
Nominal current @ rated load ³⁾	A	4,0	4,5	5,0
Rated current (clutch activation)	A	5,6	6,1	6,4
Duty cycle ⁴⁾	%	20	20	20
ON time / OFF time	s	85/340	85/340	85/340
Mechanical data				
Stroke	mm	50 ... 700	50 ... 700	50 ... 700
Backlash	mm	0,6	0,6	0,6
Weight for 200 mm stroke	kg	4,8	4,8	4,8
Colour	–	Black	Black	Black
Environment and standards				
Ambient temperature ⁵⁾	°C	–25...85	–25...85	–25...85
Degree of protection	–	IP 69K/66M		
Standards / EMC	–	EN61000-6-2:2005, EN61000-6-4:2007/A1:2011		
Salt spray test	–	ISO 9227:2012, 250 hours		

¹⁾ Upper limit of the pull/push force limited by the clutch. The lower limit is just above the rated force. The limitation of the force will happen between these 2 limits

²⁾ The holding force is the highest load a powered-down actuator can statically hold without slipping backwards. Ultimate Static Load, refer to the "Static load" diagrams

³⁾ The data of speed and current on this list is defined at +20 °C

⁴⁾ Duty cycle: actuator output force direction is same with the actuator movement direction. otherwise, duty cycle is 10%(25 s ON / 225 s OFF)

⁵⁾ Full performance from 0 °C to +40 °C, contact Ewellix for application operating at low temperature (-40 to -25°C)

Designation	Unit	CAHB-21S / 12 V			CAHB-21S / 24 – 48 V		
Performance data							
Rated Push Force	N	1 500	2 500	4 500	1 500	2 500	4 500
Rated Pull Force	N	1 500	2 500	4 500	1 500	2 500	4 500
Max pull / push Force ¹⁾	N	2 500	3 600	6 300	2 500	3 600	6 300
Holding force ²⁾	N						
Speed without load ³⁾	mm/s	49,5	37,0	24,0	52,5	38,0	22,5
Speed with the rated force ³⁾	mm/s	43,0	31,5	19,0	50,0	31,5	21,0
Electric data							
Nominal voltage ⁴⁾	V DC	12	12	12	24 – 48	24 – 48	24 – 48
Nominal current ³⁾	A	14,5	16,0	19,0	7,0 – 3,5	7,5 – 3,8	10,5 – 5,3
Max. current, rated current ⁵⁾	A	31,3	31,3	31,3	20,7 – 10,4	20,7 – 10,4	20,7 – 10,4
Duty cycle ⁶⁾	%	10	10	10	20	20	20
ON time / OFF time	s	85/765	85/765	85/765	85/340	85/340	85/340
Mechanical data							
Stroke	mm	50 ... 700	50 ... 700	50 ... 700	50 ... 700	50 ... 700	50 ... 700
Backlash	mm	0,6	0,6	0,6	0,6	0,6	0,6
Max. manual override torque	Nm	1,0	1,0	1,0	1,0	1,0	1,0
Max. manual override speed	rpm	1 600	1 600	1 600	1 600	1 600	1 600
Weight for 200 mm stroke	kg	4,8	4,8	4,8	4,8	4,8	4,8
Colour	–	Black	Black	Black	Black	Black	Black
Environment and standards							
Ambient temperature ⁷⁾	°C	–25...85	–25...85	–25...85	–25...85	–25...85	–25...85
Degree of protection	–	IP69K/66M					
Standards / EMC	–	Refer to environmental performances - electrical tests, page 55					
Salt spray test	–	ISO 9227:2012 500 hours					

¹⁾ Upper limit of the pull/push force, limited by the E-clutch.

²⁾ The holding force is the highest load a powered-down actuator can statically hold without slipping backwards. Ultimate static load, refer to the "Static load" diagrams.

³⁾ The data of speed and current on this list is defined temperature at +20°C, PWM 100%

⁴⁾ 12 V version use 12 V DC motor, 24 – 48 V version use 24 V DC motor

⁵⁾ Max. current is the upper limit of the input current to the actuator. In any circumstances, the current will not exceed to max. current.

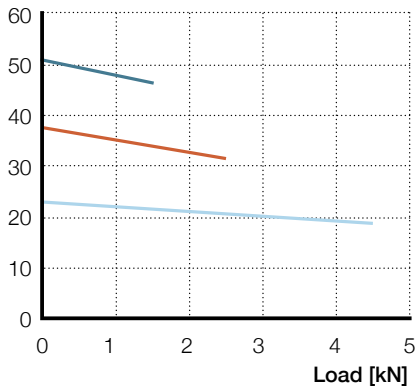
⁶⁾ Duty cycle is defined temperature at +20° C, and actuator output force direction is same with the actuator movement direction. otherwise, duty cycle is 10%(25 s ON / 225 s OFF)

⁷⁾ Full performance from 0°C to +40°C, contact Ewellix for application operating at low temperature (-40 to -25°C)

Performance diagrams

Speed-Load diagram

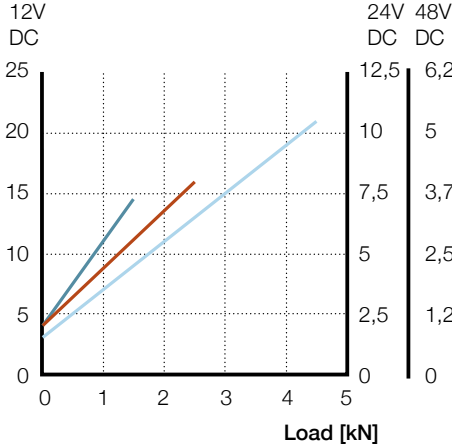
Speed [mm/s]



- CAHB-21-x1E
- CAHB-21-x2E
- CAHB-21-x3E

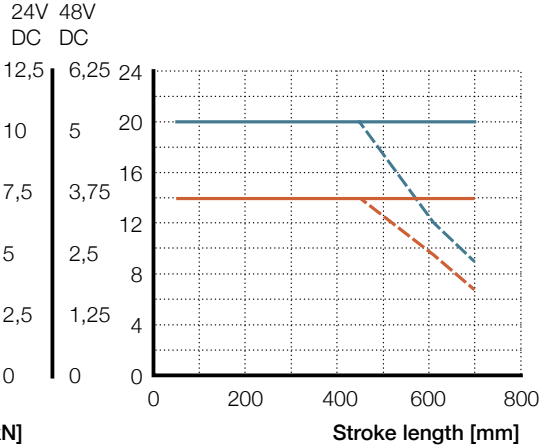
Current-Load diagram

Current consumption [A]



Static load-Stroke length

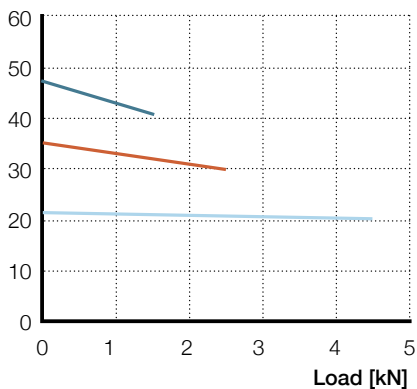
Load [kN]



- Ultimate CAHB-21-xxE (pull)
- - - Ultimate CAHB-21-xxE (push)
- Recommended CAHB 21-xxE (pull)
- - - Recommended CAHB 21-xxE (push)

Speed-Load diagram

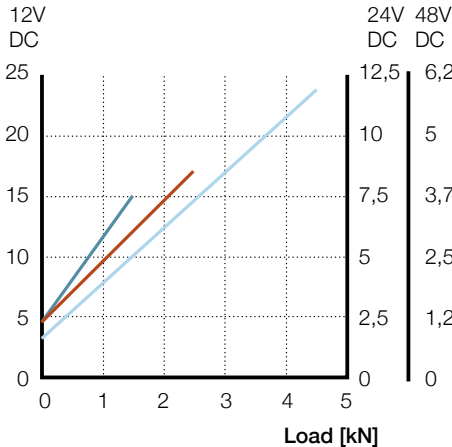
Speed [mm/s]



- CAHB-21-x1S
- CAHB-21-x2S
- CAHB-21-x3S

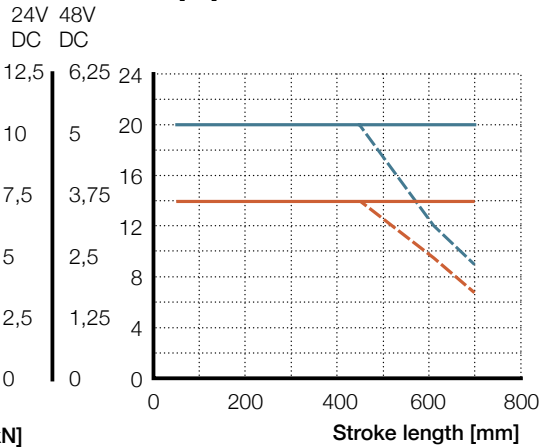
Current-Load diagram

Current consumption [A]



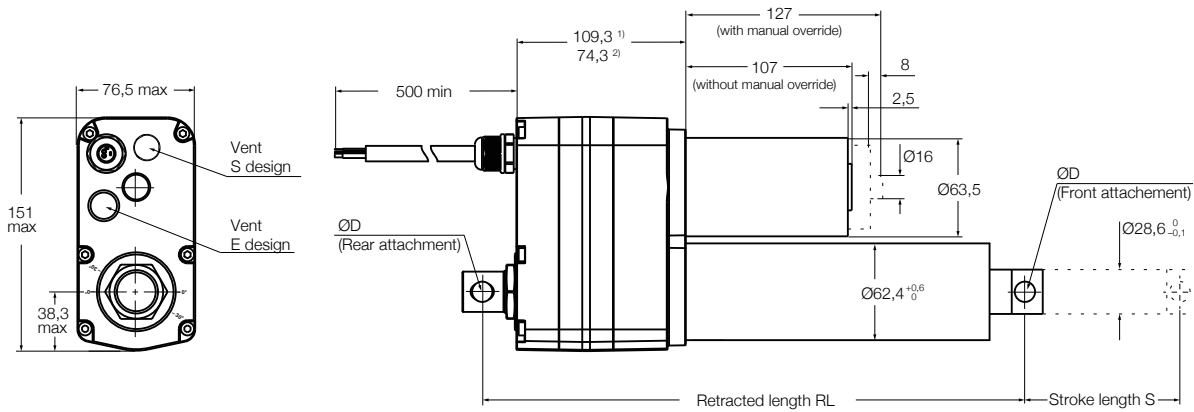
Static load-Stroke length

Load [kN]



- Ultimate CAHB-21-xxS (pull)
- - - Ultimate CAHB-21-xxS (push)
- Recommended CAHB-21-xxS (pull)
- - - Recommended CAHB-21-xxS (push)

Dimensional drawing CAHB-21E and -21S



¹⁾ 109,3 for E design with position output

²⁾ 74,3 for E design without position output and S design

	Stroke tolerance	Retracted length tolerance
E design with LS ($S \leq 305$)	± 2	± 2
E design without LS ($S \leq 305$)	(-2, -0.5)	± 2
E design with LS ($S > 305$)	± 3	± 2
E design without LS ($S > 305$)	(-3, -1)	± 2
S design	± 1	± 1

Retracted length calculation (RL)

S Stroke [mm]	Baseline: Rod with hole attachment		Fork head attachment	Anti-rotation tube with free spinning front attachment	Rod end Spherical plain bearing with anti rotation tube	
	50-305	306-700	50-700	50-700	50-305	306-700
CAHB-21E						
Retracted length (RL) no option ¹⁾	182+S	217+S	+12	+1	+43	+31
Retracted length (RL) with LS	191+S	226+S	+12	+1	+43	+31
Retracted length (RL) with position output	217+S	252+S	+12	+1	+43	+31
Retracted length (RL) with LS and position output ²⁾	226+S	261+S	+12	+1	+43	+31
CAHB-21S						
Retracted length (RL)	182+S	217+S	+12	+0	+43	+33

Example for Ordering key, in **red** baseline configuration:

¹⁾ **182 + 50** (stroke) + **12** (Fork head attachment) + **1** (Anti-rotation tube with free spinning front attachment) = **245**

²⁾ **261 + 400** (stroke) + **31** (Rod end Spherical plain bearing with anti rotation tube) = **692**

CAHB-22E and -22S

Linear actuator



Benefits

- High productivity
- Reliability and safety
- Save development time
- Cost effectiveness
- Quick time to market (for Smart version)

Features

- High force
- High speed
- High holding force
- Mechanical overload protection
- Corrosion protection and stainless steel tube
- Manual override option
- Enhanced ingress protection, virtuality maintenance free

Smart version S features

- Integrated controller with complete motion control
- True absolute position contactless sensor
- Monitoring and onboard diagnostic (force, voltage, temperature)
- I/O and CAN bus SAE J1939 communication

Technical data

Designation	Unit	CAHB-22E / 12 V				CAHB-22E / 24 V			
Performance data									
Rated Push Force	N	2 300	3 500	6 800	10 000	2 300	3 500	6 800	10 000
Rated Pull Force	N	2 300	3 500	6 800	10 000	2 300	3 500	6 800	10 000
Max pull / push Force ¹⁾	N	3 500	4 900	9 500	14 000	3 500	4 900	9 500	14 000
Holding force ²⁾	N								
Speed without load ³⁾	mm/s	55,0	45,0	22,0	13,0	53,0	45,0	22,0	13,0
Speed with the rated force ³⁾	mm/s	42,0	36,0	15,5	10,2	42,0	37,0	17,0	10,2
Electric data									
Nominal voltage	V DC	12	12	12	12	24	24	24	24
Nominal current @ rated load ³⁾	A	18	19,5	19,5	19	8	9,5	9,5	8,5
Rated current (clutch activation)	A	24,3	25,5	25,5	25	10,6	12,3	12,3	10,9
Duty cycle ⁴⁾	%	10	10	10	10	20	20	20	20
ON time / OFF time	s	85/765	85/765	85/765	85/765	85/340	85/340	85/340	85/340
Mechanical data									
Stroke	mm	50 ... 700	50 ... 700	50 ... 610	50 ... 450	50 ... 700	50 ... 700	50 ... 610	50 ... 450
Backlash	mm	1,0	1,0	0,6	0,6	1,0	1,0	0,6	0,6
Weight for 200 mm stroke	kg	4,8	4,8	4,8	4,8	4,8	4,8	4,8	4,8
Colour	-	Black	Black	Black	Black	Black	Black	Black	Black
Environment and standards									
Ambient temperature	°C	-25...85	-25...85	-25...85	-25...85	-25...85	-25...85	-25...85	-25...85
Degree of protection	-	IP 69K/66M							
Standards / EMC	-	EN61000-6-2:2005, EN61000-6-4:2007/A1:2011							
Salt spray test	-	ISO 9227:2012, 250 hours							

¹⁾ Upper limit of the pull/push force limited by the clutch. The lower limit is just above the rated force. The limitation of the force will happen between these 2 limits

²⁾ The holding force is the highest load a powered-down actuator can statically hold without slipping backwards. Ultimate Static Load, refer to the "Static load" diagrams

³⁾ The data of speed and current on this list is defined at +20 °C

⁴⁾ Duty cycle: actuator output force direction is same with the actuator movement direction. otherwise, duty cycle is 10%(25 s ON / 225 s OFF)

⁵⁾ Full performance from 0 °C to +40 °C, contact Ewellix for application operating at low temperature (-40 to -25°C)

Designation	Unit	CAHB-22E / 48 V			
Performance data					
Rated Push Force	N	2 300	3 500	6 800	10 000
Rated Pull Force	N	2 300	3 500	6 800	10 000
Max pull / push Force ¹⁾	N	3 500	4 900	9 500	14 000
Holding force ²⁾	N				
Speed without load ³⁾	mm/s	57,0	45,0	22,0	13,0
Speed with the rated force ³⁾	mm/s	50,0	37,0	18,5	10,2
Electric data					
Nominal voltage	V DC	48	48	48	48
Nominal current @ rated load ³⁾	A	4,5	5	5	4,3
Rated current (clutch activation)	A	6,5	7	7	5,5
Duty cycle ⁴⁾	%	20	20	20	20
ON time / OFF time	s	85/340	85/340	85/340	85/340
Mechanical data					
Stroke	mm	50 ... 700	50 ... 700	50 ... 610	50 ... 450
Backlash	mm	1,0	1,0	0,6	0,6
Weight for 200 mm stroke	kg	4,8	4,8	4,8	4,8
Colour	–	Black	Black	Black	Black
Environment and standards					
Ambient temperature ⁵⁾	°C	–25...85	–25...85	–25...85	–25...85
Degree of protection	–	IP 69K/66M			
Standards / EMC	–	EN61000-6-2:2005, EN61000-6-4:2007/A1:2011			
Salt spray test	–	ISO 9227:2012, 250 hours			

¹⁾ Upper limit of the pull/push force limited by the clutch. The lower limit is just above the rated force. The limitation of the force will happen between these 2 limits

²⁾ The holding force is the highest load a powered-down actuator can statically hold without slipping backwards. Ultimate Static Load, refer to the "Static load" diagrams

³⁾ The data of speed and current on this list is defined at +20 °C

⁴⁾ Duty cycle: actuator output force direction is same with the actuator movement direction. otherwise, duty cycle is 10%(25 s ON / 225 s OFF)

⁵⁾ Full performance from 0 °C to +40 °C, contact Ewellix for application operating at low temperature (-40 to -25°C)

Designation	Unit	CAHB-22S / 12 V				CAHB-22S / 24 – 48 V			
Performance data									
Rated Push Force	N	2 300	3 500	6 800	10 000	2 300	3 500	6 800	10 000
Rated Pull Force	N	2 300	3 500	6 800	10 000	2 300	3 500	6 800	10 000
Max pull / push Force ¹⁾	N	3 500	4 900	9 500	14 000	3 500	4 900	9 500	14 000
Holding force ²⁾	N								
Speed without load ³⁾	mm/s	55,0	45,0	22,0	13,0	53,0	45,0	22,0	13,0
Speed with the rated force ³⁾	mm/s	42,0	36,0	15,5	10,2	42,0	37,0	17,0	10,2
Electric data									
Nominal voltage ⁴⁾	V DC	12	12	12	12	24 – 48	24 – 48	24 – 48	24 – 48
Nominal current ³⁾	A	18,0	19,5	19,5	19,0	8,0 – 4,0	9,5 – 4,8	9,5 – 4,8	8,5 – 4,3
Max. current, rated current ⁵⁾	A	31,3	31,3	31,3	31,3	20,7 – 10,4	20,7 – 10,4	20,7 – 10,4	20,7 – 10,4
Duty cycle ⁶⁾	%	10	10	10	10	20	20	20	20
ON time / OFF time	s	85/765	85/765	85/765	85/765	85/340	85/340	85/340	85/340
Mechanical data									
Stroke	mm	50 ... 700	50 ... 700	50 ... 610	50 ... 450	50 ... 700	50 ... 700	50 ... 610	50 ... 450
Backlash	mm	1,0	1,0	0,6	0,6	1,0	1,0	0,6	0,6
Max. manual override torque	Nm	1,0	1,0	1,0	1,0	1,0	1,0	1,0	1,0
Max. manual override speed	rpm	1 600	1 600	1 600	1 600	1 600	1 600	1 600	1 600
Weight for 200 mm stroke	kg	4,8	4,8	4,8	4,8	4,8	4,8	4,8	4,8
Colour	–	Black	Black	Black	Black	Black	Black	Black	Black
Environment and standards									
Ambient temperature ⁷⁾	°C	–25...85	–25...85	–25...85	–25...85	–25...85	–25...85	–25...85	–25...85
Degree of protection	–	IP69K/66M							
Standards / EMC	–	refer to environmental performances - electrical tests, page 55							
Salt spray test	–	ISO 9227:2012 500 hours							

¹⁾ Upper limit of the pull/push force, limited by the E-clutch.

²⁾ The holding force is the highest load a powered-down actuator can statically hold without slipping backwards. Ultimate static load, refer to the "Static load" diagrams.

³⁾ The data of speed and current on this list is defined temperature at +20°C, PWM 100%

⁴⁾ 12 V version use 12 V DC motor, 24 – 48 V version use 24 V DC motor.

⁵⁾ Max. current is the upper limit of the input current to the actuator. In any circumstances, the current will not exceed to max. current.

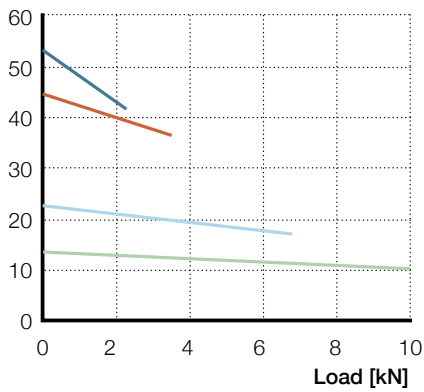
⁶⁾ Duty cycle is defined temperature at +20°C, and actuator output force direction is same with the actuator movement direction. otherwise, duty cycle is 10%(25 s ON / 225 s OFF)

⁷⁾ Full performance from 0°C to +40°C, contact Ewellix for application operating at low temperature (-40 to -25°C)

Performance diagrams

Speed-Load diagram

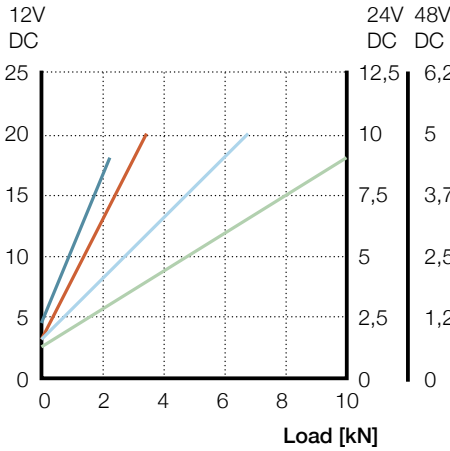
Speed [mm/s]



- CAHB-22-x1E
- CAHB-22-x2E
- CAHB-22-x3E
- CAHB-22-x4E

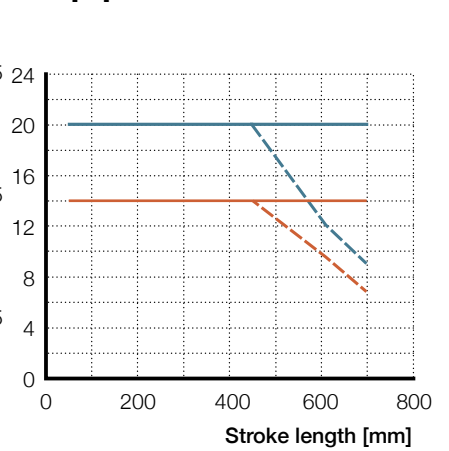
Current-Load diagram

Current consumption [A]



Static load-Stroke length

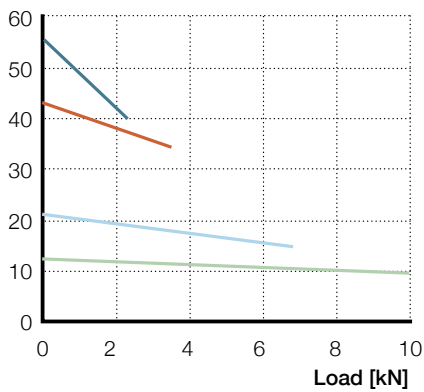
Load [kN]



- Ultimate CAHB-22-xxE (pull)
- - Ultimate CAHB-22-xxE (push)
- Recommended CAHB 22-xxE (pull)
- - Recommended CAHB 22-xxE (push)

Speed-Load diagram

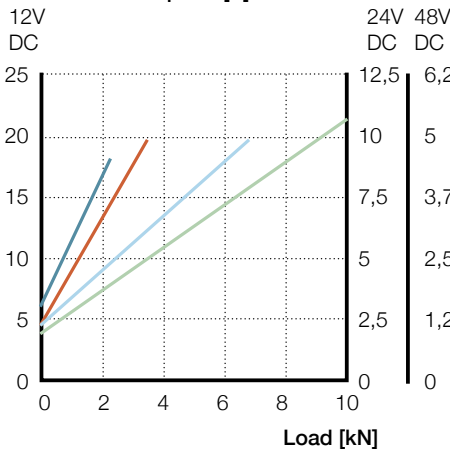
Speed [mm/s]



- CAHB-22-x1S
- CAHB-22-x2S
- CAHB-22-x3S
- CAHB-22-x4S

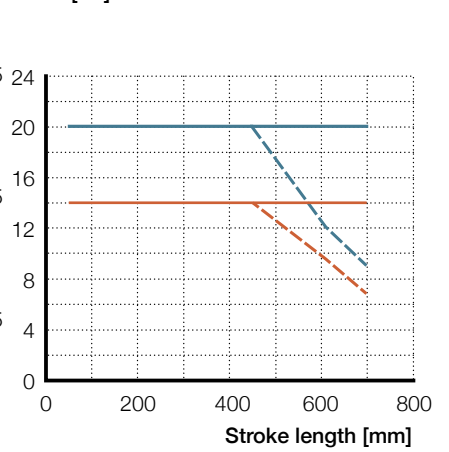
Current-Load diagram

Current consumption [A]



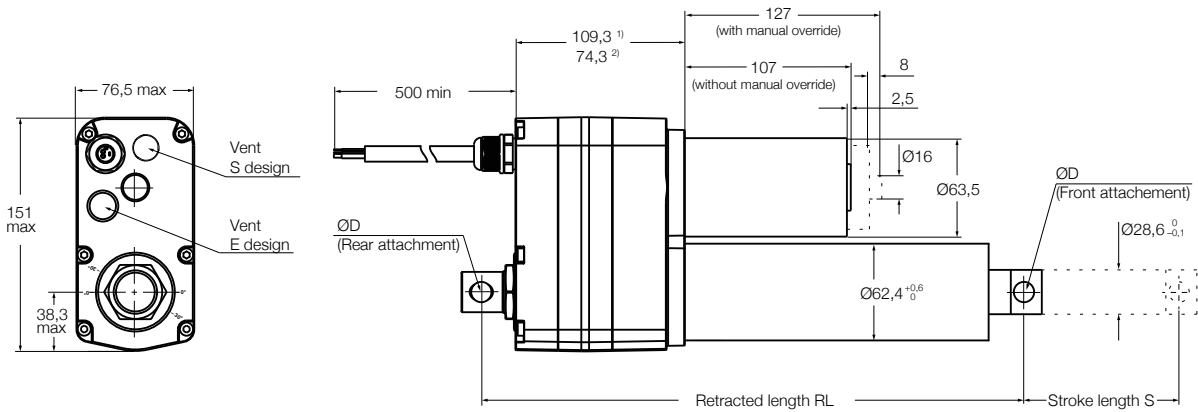
Static load-Stroke length

Load [kN]



- Ultimate CAHB-22-xxS (pull)
- - Ultimate CAHB-22-xxS (push)
- Recommended CAHB-22-xxS (pull)
- - Recommended CAHB-22-xxS (push)

Dimensional drawing CAHB-22E and -22S



¹⁾ 109,3 for E design with position output
²⁾ 74,3 for E design without position output and S design

	Stroke tolerance	Retracted length tolerance
E design with LS (S<=305)	±2	(0, +4)
E design without LS, 1E/2E (S<=305)	(-3, -1.5)	(0, +4)
E design without LS, 3E/4E (S<=305)	(-2, -0.5)	(0, +4)
E design with LS (S>305)	±3	(0, +4)
E design without LS, 1E/2E (S>305)	(-4, -2)	(0, +4)
E design without LS, 3E/4E (S>305)	(-3, -1)	(0, +4)
S design	±1	±1

Retracted length calculation

Stroke [mm]	Baseline: Rod with hole attachment		Fork head attachment	Anti-rotation tube with free spinning front attachment	Rod end Spherical plain bearing with anti rotation tube	
	50-305	306-700	50-700	50-700	50-305	306-700
CAHB-22E						
Retracted length (RL) no option ¹⁾	194+S	229+S	+12	+7	+49	+37
Retracted length (RL) with LS	200+S	235+S	+12	+7	+49	+37
Retracted length (RL) with position output	229+S	264+S	+12	+7	+49	+37
Retracted length (RL) with LS and position output ²⁾	235+S	270+S	+12	+7	+49	+37
CAHB-22S						
Retracted length (RL)	200+S	235+S	+12	+0	+43	+33

Example for Ordering key, in **red** baseline configuration:

¹⁾ **194 + 50** (stroke) + **12** (Fork head attachment) + **7** (Anti-rotation tube with free spinning front attachment) = **263**

²⁾ **270 + 400** (stroke) + **37** (Rod end Spherical plain bearing with anti rotation tube)= **707**

Electrical specifications (valid for CAHB-20E, -21E, -22E)

Power input voltage tolerance

Power input	Tolerance
12 V DC version	10-16 V DC
24 V DC version	21-26 V DC
48 V DC version	40-55 V DC

Wire connection without position output

Wire no.	AWG	Colour	Application
1	14	Red	Motor power(+) → Extension, (-) → Retraction
2	14	Black	Motor power(-) → Extension, (+) → Retraction

Cable reference standard: UL758, UL1581 & CSA C22.2 No. 210

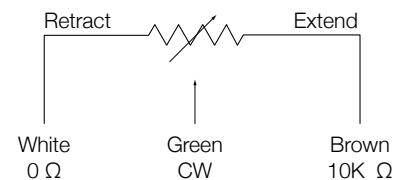
Wire connection with position output

Wire connection with potentiometer

Wire no.	AWG	Colour	Application
1	22	Green	See picture description
2	22	White	See picture description
3	22	Brown	See picture description
4	14	Red	Motor power(+) → Extension, (-) → Retraction
5	14	Black	Motor power(-) → Extension, (+) → Retraction

Cable reference standard: UL758, UL1581 & CSA C22.2 No. 210

Potentiometer

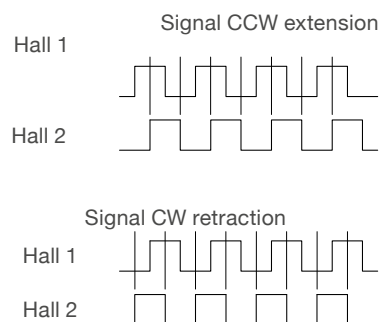


Wire connection with encoder

Wire no.	AWG	Colour	Application
1	26	Green	Sensor signal 1 Encoder
2	26	Yellow	Sensor signal 2 Encoder
3	26	Black	Sensor power GND Encoder
4	26	Red	Sensor power 5 V Encoder
5	14	Red	Motor power(+) → Extension, (-) → Retraction
6	14	Black	Motor power(-) → Extension, (+) → Retraction

Cable reference standard: UL758, UL1581 & CSA C22.2 No. 210

Encoder



Wire connection with absolute analog output

Wire no.	AWG	Colour	Application
1	22	Green	Output signal
2	22	White	Sensor power GND
3	22	Brown	Sensor power +10~55 VDC
4	14	Red	Motor power(+) → Extension, (-) → Retraction
5	14	Black	Motor power(-) → Extension, (+) → Retraction

Cable reference standard: UL758, UL1581 & CSA C22.2 No. 210

Absolut analog position output

Input voltage: 10~55 V DC

Current consumption: 15 mA max.

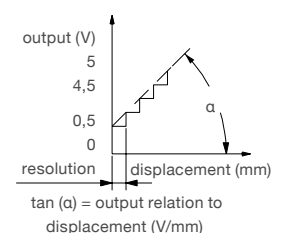
Output analog signal (voltage): 0~5 V DC

Max current output: 5 mA

Absolute analog output set up:

retracted 0,5±0,15 V

extended 4,5 V to the maximum



Output relation to displacement and resolution

Actuator type	Hall sensor [pulses/mm]	Potentiometer [Ω /mm]	Absolute analogue position output [V/mm]	Resolution of the absolute analog position output [mm]
CAHB-20...E	2,76	59,06 if S=050-125	0,0295 if S=050-125	0,0413 if S=050-125
		29,53 if S=126-250	0,0148 if S=126-250	0,0827 if S=126-250
		9,84 if S=251-700	0,0049 if S=251-700	0,2480 if S=251-700
CAHB-21...E	1,56	33,33 if S=050-222	0,0167 if S=050-222	0,0732 if S=050-222
		16,67 if S=223-444	0,0083 if S=223-444	0,1465 if S=223-444
		5,56 if S=445-700	0,0028 if S=445-700	0,4395 if S=445-700
CAHB-22...1E	1,4	30 if S=050-254	0,0150 if S=050-254	0,0814 if S=050-254
CAHB-22...2E	1,4	15 if S=255-508	0,0075 if S=255-508	0,1628 if S=255-508
		5 if S=509-700	0,0025 if S=509-700	0,4883 if S=509-700
CAHB-22...3E	2,8	60 if S=050-127	0,030 if S=050-127	0,0407 if S=050-127
CAHB-22...4E	2,8	30 if S=128-254	0,015 if S=128-254	0,0814 if S=128-254
		10 if S=255-700	0,005 if S=255-700	0,2441 if S=255-700

Electrical specifications (valid for CAHB-20S, -21S, -22S)

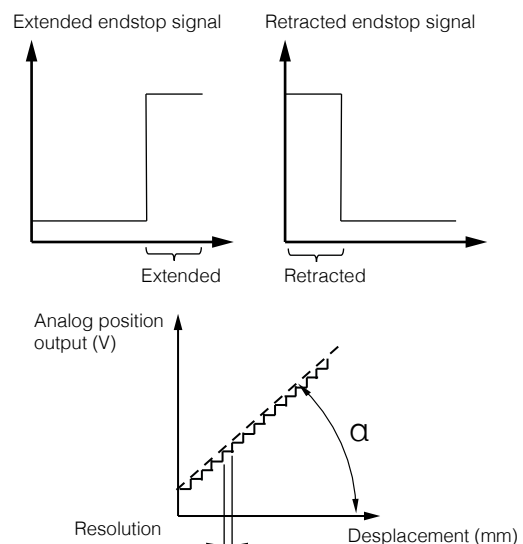
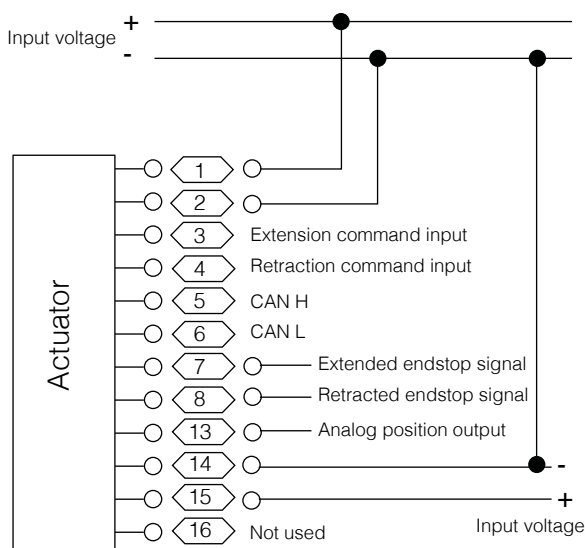
CAN bus + I/O

Ordering key pages 37, 39, 41 (Cable and I/O Option 1: code A and code C)

Wire no.	AWG	Colour	Application
1	14	Red	Power (+) VCC Connect to positive 9 to 16 V DC (12 V version) 18 to 55 V DC (24 – 48 V version)
2	14	Black	Power (-) GND Connect to negative
3	26	Red	Extension command input High: 5 to 55 VDC Low: 0 to 1.19 VDC Max. current consumption: 1mA Delay before movement and stop: 50 ms
4	26	Black	Retraction command input High: 5 to 55 VDC Low: 0 to 1.19 VDC Max. current consumption: 1mA Delay before movement and stop: 50 ms
5	26	Yellow	CAN H (CAN bus J1939)
6	26	Blue	CAN L (CAN bus J1939)
7	26	Grey	End stop signal (Digital output, open collector) Normal (L): High-Z Extended (H): V power - 1.8 V Max. current consumption: 10 mA
8	26	Orange	End stop signal (Digital output, open collector) Normal (L): High-Z Retracted (H): V power - 1.8 V Max. current consumption: 10 mA
13	26	Green	Analog position signal output Retracted position: 0,5±0,02 V Extended position: 5 V or 10 V (default) Max. current output: 15 mA Ripple max: 200 mV Transaction delay: 20 ms Linear feedback 0,5% tan(α)=4,5 / stroke (V/mm), code A or 9,5 / stroke (V/mm), code C Resolution: 10 V / 4 000 / tan(α)
14	26	White	Analog position sensor power (-) GND Common ground with wire No. 2
15	26	Brown	Analog position sensor power (+) For 0~5 V position sensor output ¹⁾ : 8 to 27 V DC For 0~10 V position sensor output ¹⁾ : 13 to 27 V DC Max. current consumption: 15 mA
16	26	Purple	Reserved, not to be connected

¹⁾ Position sensor output to select by the ordering key

Cable reference standard: UL758, UL1581 & CSA C22.2 No. 210

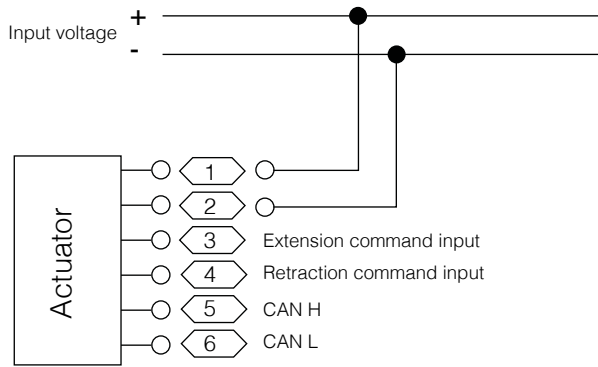


CAN bus + Input

Ordering key pages 37, 39, 41 (Cable and I/O Option 1: code B)

Wire no.	AWG	Colour	Application
1	14	Red	Power (+) VCC Connect to positive 9 to 16 V DC (12 V version) 18 to 55 V DC (24 – 48 V version)
2	14	Black	Power (-) GND Connect to negative
3	26	Red	Extension command input High: 5 to 55 VDC Low: 0 to 1.19 VDC Max. current consumption: 1mA Delay before movement and stop: 50 ms
4	26	Black	Retraction command input High: 5 to 55 VDC Low: 0 to 1.19 VDC Max. current consumption: 1mA Delay before movement and stop: 50 ms
5	26	Yellow	CAN H (CAN bus J1939)
6	26	Blue	CAN L (CAN bus J1939)

Cable reference standard: UL758, UL1581 & CSA C22.2 No. 210

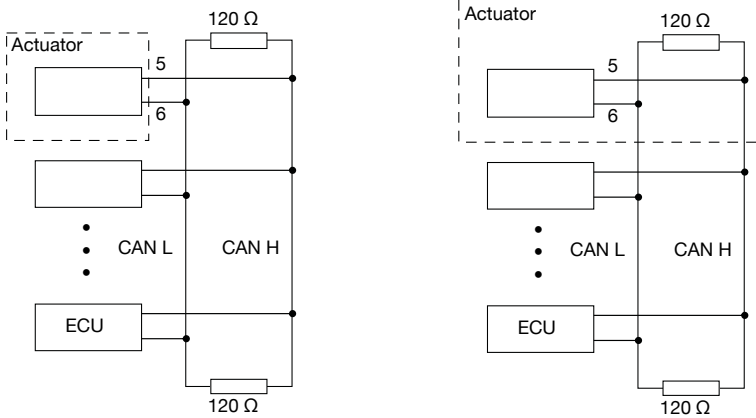


Termination resistance option

Ordering key pages 37, 39, 41 (Bus type Option 2)

Without termination resistor (code C)

With termination resistor (code T)



NOTE.

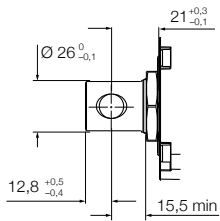
The CAN bus system of the vehicle request termination resistor.
The CAHB 2xS could be equipped one.

Attachment option (valid for CAHB-20, -21, -22 E and S)

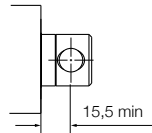
Attachment type

Rod end with hole (refer to ordering key Attachment diameter A - E)

Rear attachment

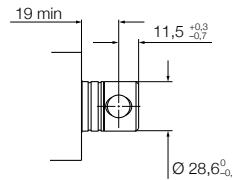


Front attachment without anti rotation tube

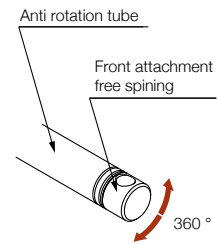


Attachment orientation: "A" to "F"

Front attachment with anti rotation tube



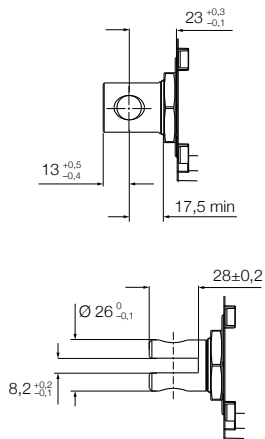
Attachment orientation: "G" to "L"



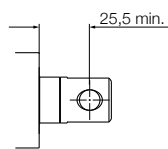
Hole version	A	B	C	D	E
Hole diameter Ø [mm]	13,1	12,8	12,5	14	12,2
Tolerance	H11	H11	H11	H11	H11

Fork head with hole (refer to ordering key Attachment diameter F - G)

Rear attachment

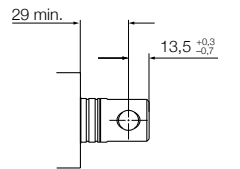


Front attachment without anti rotation tube

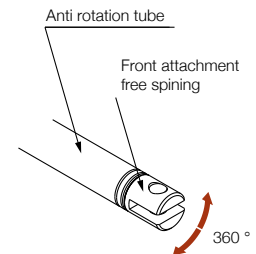


Attachment orientation: "A" to "F"

Front attachment with anti rotation tube



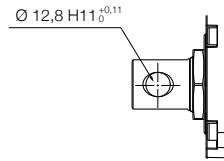
Attachment orientation: "G" to "L"



Hole version	F	G
Hole diameter Ø [mm]	12,2	12,8
Tolerance	H11	H11

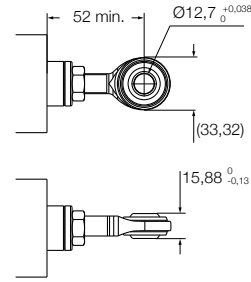
Rod end Spherical plain bearing (refer to ordering key Attachment diameter I)

Rear attachment



"I" and "B" have the same rear attachment

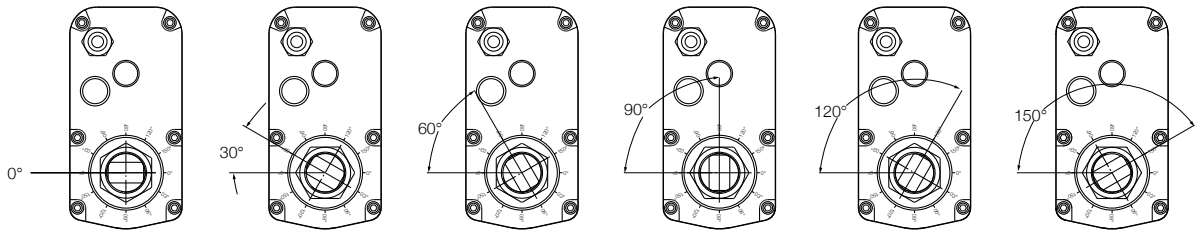
Front attachment with anti rotation tube



Attachment orientation: "G" to "L"

Hole version	I (Rear Attachment)	I (front Attachment)
Hole diameter \varnothing [mm]	12,8	12,7

Attachment orientation (refer to ordering key Attachment orientation)

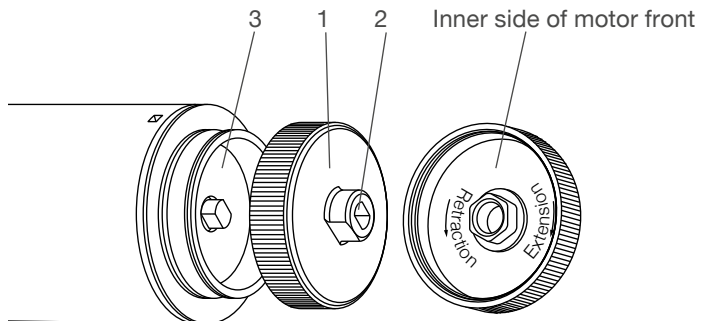


Orientation A / G Orientation B / H Orientation C / I Orientation D / J Orientation E / K Orientation F / L

Attachment orientation	Description
A	0° without anti rotation tube
B	30° without anti rotation tube
C	60° without anti rotation tube
D	90° without anti rotation tube
E	120° without anti rotation tube
F	150° without anti rotation tube
G	0°: with anti rotation tube and free spinning front attachment
H	30° with anti rotation tube and free spinning front attachment
I	60° with anti rotation tube and free spinning front attachment
J	90° with anti rotation tube and free spinning front attachment
K	120° with anti rotation tube and free spinning front attachment
L	150° with anti rotation tube and free spinning front attachment

Manual override

Release the motor cover (1). Use the slot (2) to rotate the motor shaft (3) in the proper direction



List of function CAHB-20S, -21S, -22S

		CAHB-2xS only	CAN bus + I/O Ordering key Option 1 code A or C	CAN bus + Input Ordering key Option 1 code B
Interface	Voltage version	12 VDC	●	●
		24-48 VDC	●	●
	Cable	Power wires	2	2
		Low current wires	10	4
BUS	CAN bus SAE J1939, 250 or 500 kbps ¹⁾	●	●	
Functions	Motion	soft start / soft stop	●	●
	E clutch	Force limitation (calibration, temperature compensation)	●	●
		Adjustable retracted and extended length by I/O and CAN bus	Available in 2023	Available in 2023
	Parallel motion	Drive actuator with the same length up to	2 pcs (more in 2023)	2 pcs (more in 2023)
Command	Command I/O	Motion Extend / Retract	●	●
		Motion Extend / Retract	●	●
	Command CAN bus J1939	Run to an actuator length in 1/10 mm	●	●
		Speed, command set in %	●	●
		Set max force in N	●	●
Real-time feedback	I/O End stop signal	End stop extended	●	–
		end stop retracted	●	–
	position feedback by I/O	0-10V or 0-5V absolute analog	●	–
		Actuator length in 1/10 mm	●	●
	CAN bus J1939 feedback	Force in N	●	●
		Speed in %	●	●
		Flag of Endstop retracted	●	●
		Flag of endstop extended	●	●
		Flag of run in retraction	●	●
		Flag of run in extension	●	●
Diagnostic by CAN bus (Onboard)	Application monitoring	Voltage upper limit reached	●	●
		Temperature upper limit reached	●	●
		Force upper limit reached	●	●
		Actuator blocking	●	●
	Integrity monitoring	Error code	●	●
Regulation and test	Compliance	CE marking, Declaration of incorporation for partly completed machine: RoHS, EMC + Reach	●	●
	Functional Safety	Safe Torque Off (STO) SIL 2 and Safe Direction (SDI) SIL 1 (IEC 61508)	on request	on request
		ISO 25119 evaluation	on request	on request
		Mechanic	Extended, see page 52	Extended, see page 52
	Climatic		Extended, see page 51	Extended, see page 51
		Electric	Extended, see page 54	Extended, see page 54
	Environmental test (see pages 50-55)	Load Dump protection, chassis connected to negative terminal	●	●
		Load Dump protection, chassis not connected	●	●
		Reinforced load dump protection ²⁾ , chassis connected to negative terminal	Option for 12 VDC	Option for 12 VDC
Reinforced load dump protection ²⁾ , chassis not connected		Option for 12 VDC	Option for 12 VDC	

● Available

¹⁾ By default, the baud rate is 250 kbps. To change the CAN baud rate by CAN message, the ECU used for the setting must support both 500Kbps and 250Kbps.

²⁾ For vehicle without centralized load dump protection

Type	C A H B - 2 0 -				S									0 0 0		
Voltage																
A	12 V DC															
B	24 – 48 V DC															
E	12 V DC with manual override															
F	24 – 48 V DC with manual override															
Load																
1	1 500 N															
2	2 500 N															
3	4 500 N															
Design	S															
Stroke																
Stroke	Retracted length															
	Base ¹⁾	with Fork head	with Spherical plain bearing													
		F, G	I													
050	0217	+12	+43													
100	0267	+12	+43													
150	0317	+12	+43													
200	0367	+12	+43													
250	0417	+12	+43													
300	0467	+12	+43													
350	0552	+12	+33													
400	0602	+12	+33													
450	0652	+12	+33													
500	0702	+12	+33													
600	0802	+12	+33													
700	0902	+12	+33													
¹⁾ Base: the Retracted length with attachment "Rod end with hole"																
Parallel operation self-controlled																
1	1 actuator run independently															
2	2 actuators run simultaneously in parallel mode															
3	3 actuators run simultaneously in parallel mode															
4	4 actuators run simultaneously in parallel mode															
5	5 actuators run simultaneously in parallel mode															
6	6 actuators run simultaneously in parallel mode															
7	7 actuators run simultaneously in parallel mode															
8	8 actuators run simultaneously in parallel mode															
Attachment diameter (Front and rear)																
A	Rod end with hole Ø 13,1 mm															
B	Rod end with hole Ø 12,8 mm															
C	Rod end with hole Ø 12,5 mm															
D	Rod end with hole Ø 14 mm															
E	Rod end with hole Ø 12,2 mm															
F	Fork head with hole Ø 12,2 mm and slot 8,2 mm															
G	Fork head with hole Ø 12,8 mm and slot 8,2 mm															
I	Rod end Spherical plain bearing Ø 12,7 mm, rear end with hole Ø 12,8 mm (request anti rotation tube option)															
X	Customized															
Attachment orientation (Front and rear)																
G	0° with anti rotation tube and free spinning front attachment															
H	30° with anti rotation tube and free spinning front attachment															
I	60° with anti rotation tube and free spinning front attachment															
J	90° with anti rotation tube and free spinning front attachment															
K	120° with anti rotation tube and free spinning front attachment															
L	150° with anti rotation tube and free spinning front attachment															
X	Customized															
Option 1: Cabling and I/O variant																
A	Analog I/O (Bus, 2 command input, 2 endstop output, absolute analog position output 0 – 10 V)															
C	Analog I/O (Bus, 2 command input, 2 endstop output, absolute analog position output 0 – 5 V)															
B	Bus (Bus, 2 command input)															
Option 2: BUS Type																
C	Standard: CAN without termination resistor															
T	CAN with termination resistor															
Protection																
T	Standard: Chassis connected to negative terminal, built-in thermal protection															
U	Chassis connected to negative terminal, reinforced load dump protection ²⁾ , built-in thermal protection															
V	Chassis not connected, built-in thermal protection															
W	Chassis not connected, reinforced load dump protection ²⁾ , built-in thermal protection															
Customization	Stroke length, retracted length, cable, connector, front attachment, rear attachment, color, de-rated load															

²⁾ For vehicle without centralized load dump protection option valid only for 12V.



Type

Voltage

- A 12 V DC
- B 24 V DC
- D 48 V DC
- E 12 V DC with manual override
- F 24 V DC with manual override
- H 48 V DC with manual override

Load

- 1 2 300 N
- 2 3 500 N
- 3 6 800 N
- 4 10 000 N

Design

E

3 digital Stroke and 4 digital Retracted length (mm)

Stroke Retracted length

	Base ¹⁾	with Fork head F, G	with Spherical plain bearing ²⁾ I	with Anti rotation G to L	with Limit switch L	with Position output A, P, E
050	0244	+12	+42	+7	+6	+35
100	0294	+12	+42	+7	+6	+35
150	0344	+12	+42	+7	+6	+35
200	0394	+12	+42	+7	+6	+35
250	0444	+12	+42	+7	+6	+35
300	0494	+12	+42	+7	+6	+35
350	0579	+12	+30	+7	+6	+35
400	0629	+12	+30	+7	+6	+35
450	0679	+12	+30	+7	+6	+35
500	0729	+12	+30	+7	+6	+35
600	0829	+12	+30	+7	+6	+35
700	0929	+12	+30	+7	+6	+35

¹⁾ Base: the Retracted length with attachment "Rod end with hole", "without Anti rotation tube", without "Position output"

²⁾ With attachment "Spherical plain bearing", option "Anti rotation tube" is mandatory, the length "with Anti rotation" must be added to calculate the Retracted length

Ingress protection

B Standard: IP69K/IP66M

Attachment diameter (Front and rear)

- A Rod end with hole Ø 13,1 mm
- B Rod end with hole Ø 12,8 mm
- C Rod end with hole Ø 12,5 mm
- D Rod end with hole Ø 14 mm
- E Rod end with hole Ø 12,2 mm
- F Fork head with hole Ø 12,2 mm and slot 8,2 mm
- G Fork head with hole Ø 12,8 mm and slot 8,2 mm
- I Rod end Spherical plain bearing Ø 12,7 mm, rear end with hole Ø 12,8 mm (request anti rotation tube option)
- X Customized

Attachment orientation (Front and rear)

- A 0° without anti rotation tube
- B 30° without anti rotation tube
- C 60° without anti rotation tube
- D 90° without anti rotation tube
- E 120° without anti rotation tube
- F 150° without anti rotation tube
- G 0°: with anti rotation tube and free spinning front attachment
- H 30° with anti rotation tube and free spinning front attachment
- I 60° with anti rotation tube and free spinning front attachment
- J 90° with anti rotation tube and free spinning front attachment
- K 120° with anti rotation tube and free spinning front attachment
- L 150° with anti rotation tube and free spinning front attachment
- X Customized

Option 1: Limit switch

- 0 None (mandatory for 2 300 N, 3 500 N version and the 48 VDC version)
- L Limit switch (valid for load version 6 800 N and 10 000 N)

Option 2: Position output

- 0 None
- A Absolute analog output
- P Potentiometer
- E Encoder

Thermal protection

T Standard: Built-in thermal switch

Customization

Stroke length, retracted length, cable, connector, front attachment, rear attachment, color, de-rated load

Standard actuators are IP69K / IP66M and equipped a vent, built-in thermal protection, protection Clutch and EMC filter.



Type

Voltage

- A 12 V DC
- B 24 – 48 V DC
- E 12 V DC with manual override
- F 24 – 48 V DC with manual override

Load

- 1 2 300 N
- 2 3 500 N
- 3 6 800 N
- 4 10 000 N

Design

S

3 digital Stroke and 4 digital Retracted length (mm)

Stroke	Retracted length		
	Base ¹⁾	with Fork head F, G	with Spherical plain bearing I
050	0250	+12	+43
100	0300	+12	+43
150	0350	+12	+43
200	0400	+12	+43
250	0450	+12	+43
300	0500	+12	+43
350	0585	+12	+33
400	0635	+12	+33
450	0685	+12	+33
500	0735	+12	+33
600	0835	+12	+33
700	0935	+12	+33

¹⁾ Base: the Retracted length with attachment "Rod end with hole"

Parallel operation self-controlled

- 1 1 actuator run independently
- 2 2 actuators run simultaneously in parallel mode
- 3 3 actuators run simultaneously in parallel mode
- 4 4 actuators run simultaneously in parallel mode
- 5 5 actuators run simultaneously in parallel mode
- 6 6 actuators run simultaneously in parallel mode
- 7 7 actuators run simultaneously in parallel mode
- 8 8 actuators run simultaneously in parallel mode

Attachment diameter (Front and rear)

- A Rod end with hole Ø 13,1 mm
- B Rod end with hole Ø 12,8 mm
- C Rod end with hole Ø 12,5 mm
- D Rod end with hole Ø 14 mm
- E Rod end with hole Ø 12,2 mm
- F Fork head with hole Ø 12,2 mm and slot 8,2 mm
- G Fork head with hole Ø 12,8 mm and slot 8,2 mm
- I Rod end Spherical plain bearing Ø 12,7 mm, rear end with hole Ø 12,8 mm
- X Customized

Attachment orientation (Front and rear)

- G 0° (Standard) with Free spinning
- H 30° with Free spinning
- I 60° with Free spinning
- J 90° with Free spinning
- K 120° with Free spinning
- L 150° with Free spinning

Option 1: Cabling and I/O variant

- A Analog I/O (Bus, 2 command input, 2 endstop output, absolute analog position output 0 – 10 V)
- C Analog I/O (Bus, 2 command input, 2 endstop output, absolute analog position output 0 – 5 V)
- B Bus (Bus, 2 command input)

Option 2: BUS Type

- C Standard: CAN without termination resistor
- T CAN with termination resistor

Protection

- T Standard: Chassis connected to negative terminal, built-in thermal protection
- U Chassis connected to negative terminal, reinforced load dump protection¹⁾, Built-in thermal protection
- V Chassis not connected, Built-in thermal protection
- W Chassis not connected, reinforced load dump protection¹⁾, Built-in thermal protection

Customization

Stroke length, retracted length, cable, connector, front attachment, rear attachment, color, de-rated load

¹⁾ For vehicle without centralized load dump protection, option valid only for 12V.

CAHB-30A

Linear actuator

Benefits

- Powered by AC voltage
- Designed and tested for harsh environments
- Reliable and cost-effective
- Reduced development and start-up times
- Virtually maintenance-free

Features

- Optional potentiometer and limit switches
- Self-locking
- Integrated thermal and overload protection
- Robust design, IP65, wide temperature range, corrosion resistant



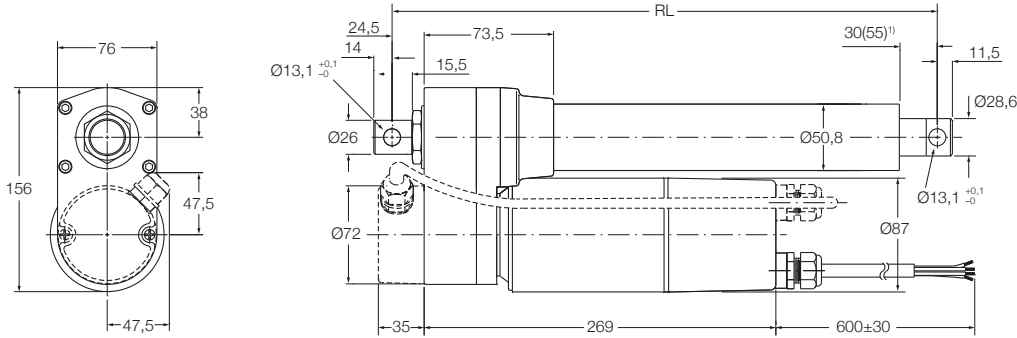
Technical data

		Unit	CAHB-30A... 1	CAHB-30A... 2
Rated push load		N	1 500	2 300
Rated pull load		N	1 500	2 300
Holding force ¹⁾		N	10 000	10 000
Speed (full load to no load)	115 V AC/60 Hz	mm/s	25 to 26	12 to 13
	230 V AC/50 Hz	mm/s	21 to 22	11 to 12
Stroke		mm	102 to 610	102 to 610
Voltage		V AC	115 or 230	115 or 230
Nominal current	115 V AC/60 Hz	A	2,3	1,8
	230 V AC/50 Hz	A	1,35	1,4
Duty cycle		%	25	25
ON time / OFF time		s	94/376	94/376
Ambient temperature		°C	-26 to +65	-26 to +65
Type of protection		IP	65S	65S
Weight		kg	9	9
Color		-	Black	Black

¹⁾ The holding force is the highest load a powered-down actuator can statically hold without slipping backwards.

Dimensional drawing

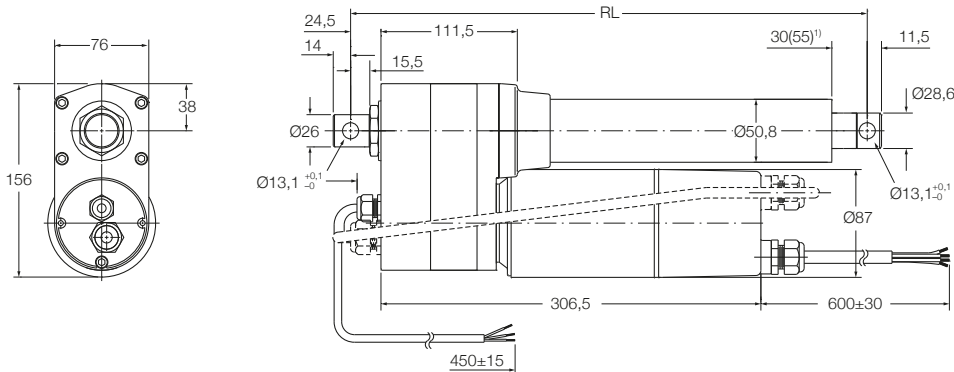
Basic configuration (dashed line for optional limit switch)



Legend:
RL = retracted length

¹⁾ 55 = dimension with limit switch

Optional potentiometer (dashed line for optional limit switch)



Legend:
RL = retracted length

¹⁾ 55 = dimension with limit switch

Retracted length calculation (RL)

Basic configuration

Stroke [mm]	With limit switch ¹⁾						Without limit switch ²⁾					
	102	153	204	305	457	610	102	153	204	305	457	610
Retracted length (RL)	440	440	440	592	744	897	380	415	415	465	668	821

¹⁾ Tolerance: S and RL = ± 5,0 mm (If S ≥ 305 mm, S = ± 7,5 mm)

²⁾ Tolerance: S = ± 2,5 mm and RL = ± 3,8 mm

Optional potentiometer

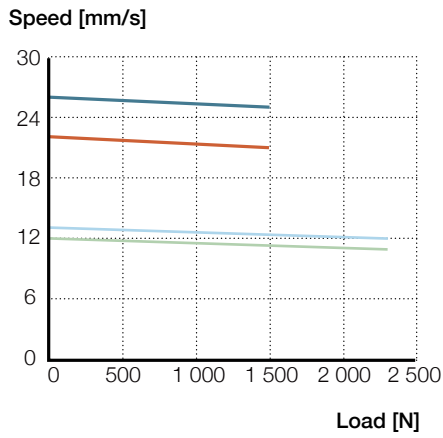
Stroke [mm]	With limit switch ¹⁾						Without limit switch ²⁾					
	102	153	204	305	457	610	102	153	204	305	457	610
Retracted length (RL)	478	478	478	630	782	935	418	453	453	503	706	859

¹⁾ Tolerance: S and RL = ± 5,0 mm (If S ≥ 305 mm, S = ± 7,5 mm)

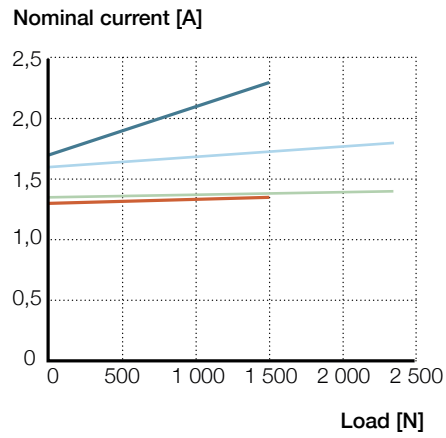
²⁾ Tolerance: S = ± 2,5 mm and RL = ± 3,8 mm

Performance diagrams

Speed-load diagram



Current-load diagram

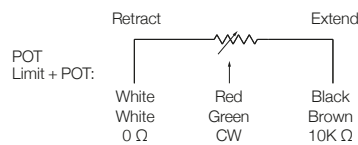
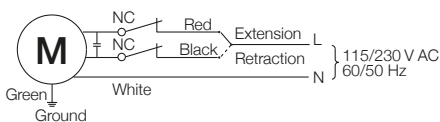
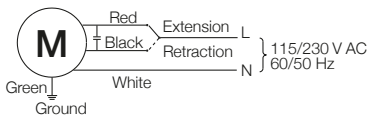


— 1 (115 VAC) — 1 (230 VAC) — 2 (115 VAC) — 2 (230 VAC)

Electrical specifications

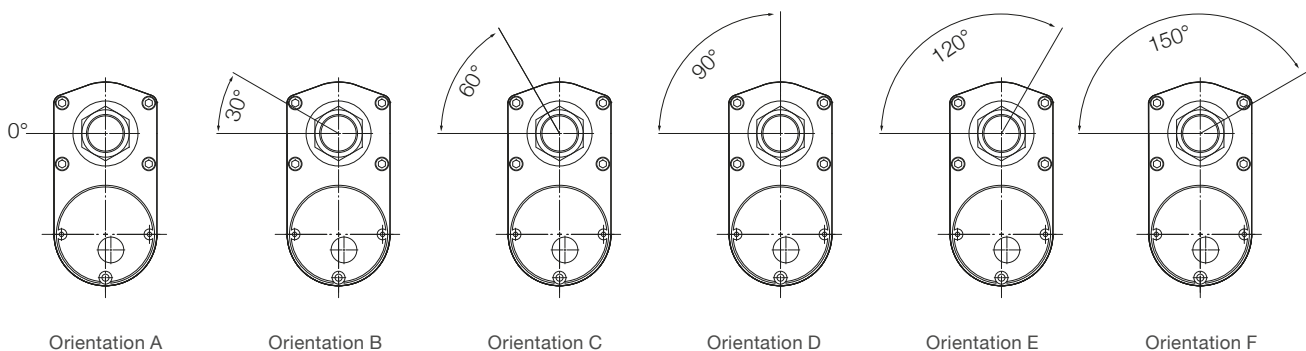
Potentiometer resolution

Stroke [mm]	102	153	204	305	457	610
Ω /mm	59,0	59,0	29,5	29,5	9,84	9,84

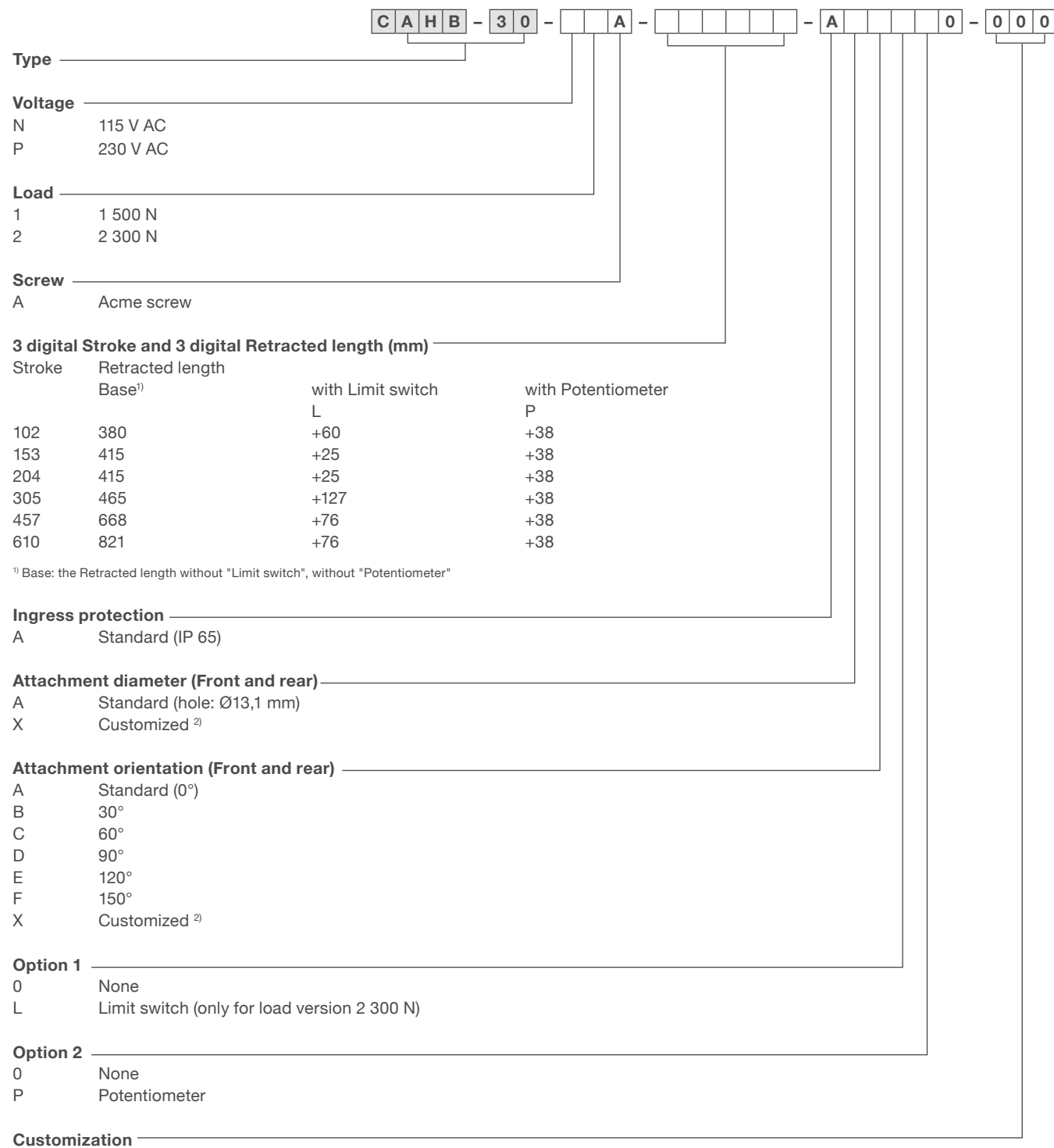


Attachment orientation

(refer to ordering key Attachment orientation)



Ordering key



²⁾ Only available on request. Contact Ewellix for more information on minimum quantities and additional costs.

CAHB-31N

Linear actuator

Benefits

- Powered by AC voltage
- High efficiency
- Designed and tested for harsh environments
- Reliable and cost-effective
- Reduced development and start-up times
- Virtually maintenance-free

Features

- Optional potentiometer and limit switches
- Ball screw with a brake
- Self-locking
- Integrated thermal and overload protection
- Robust design, IP65, wide temperature range, corrosion resistant



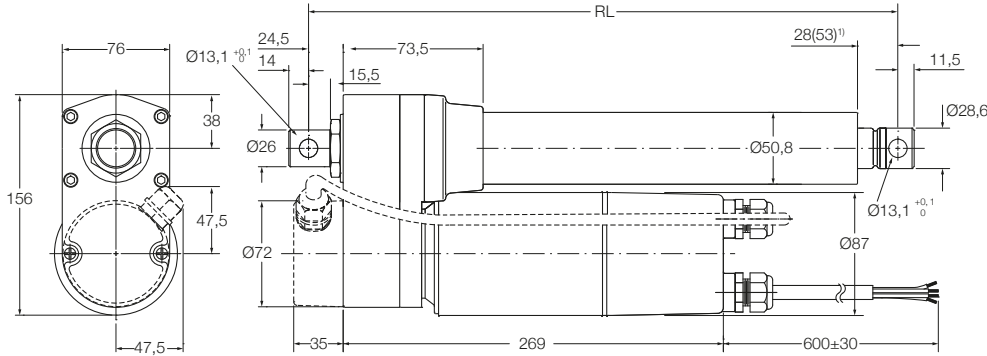
Technical data

		Unit	CAHB-31N... 1	CAHB-31N... 2	CAHB-31N... 3
Rated push load		N	2 300	4 500	6 000
Rated pull load		N	2 300	4 500	6 000
Holding force ¹⁾		N	13 600	13 600	13 600
Speed (full load to no load)	115 V AC/60 Hz	mm/s	48 to 57	22 to 28	13 to 15
	230 V AC/50 Hz	mm/s	40 to 50	20 to 24	11 to 13
Stroke		mm	102 to 610	102 to 610	102 to 610
Voltage		V AC	115 or 230	115 or 230	115 or 230
Nominal current	115 V AC/60 Hz	A	3	2,6	2,2
	230 V AC/50 Hz	A	1,5	1,4	1,4
Duty cycle		%	25	25	25
ON time / OFF time		s	94/376	94/376	94/376
Ambient temperature		°C	-26 to +65	-26 to +65	-26 to +65
Type of protection		IP	65S	65S	65S
Weight		kg	9,5	9,5	9,5
Color		-	Black	Black	Black

¹⁾ The holding force is the highest load a powered-down actuator can statically hold without slipping backwards.

Dimensional drawing

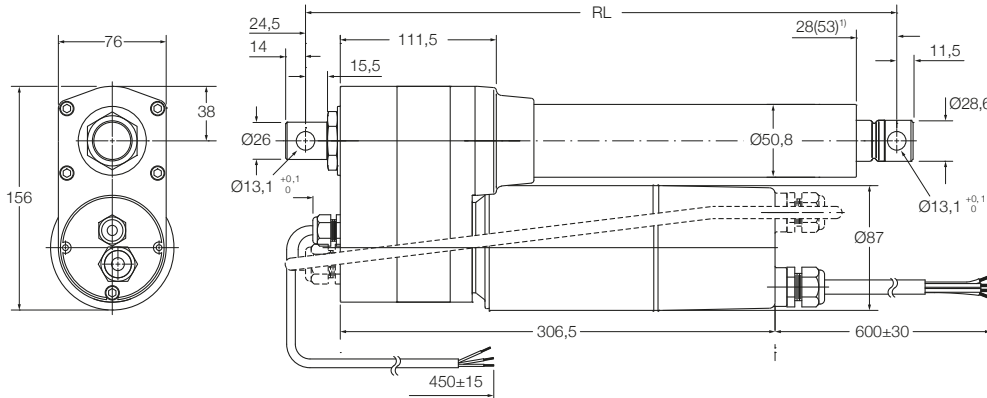
Basic configuration (dashed line for optional limit switch)



Legend:
RL = retracted length

¹⁾ 53 = dimension with limit switch

Optional potentiometer (dashed line for optional limit switch)



Legend:
RL = retracted length

¹⁾ 53 = dimension with limit switch

Retracted length calculation (RL)

Basic configuration

Stroke [mm]	With limit switch ¹⁾						Without limit switch ²⁾					
	102	153	204	305	457	610	102	153	204	305	457	610
Retracted length (RL)	444	444	495	659	811	964	380	419	419	521	735	888

¹⁾ Tolerance: S and RL = ± 5,0 mm (If S≥305 mm, S = ± 7,5 mm)

²⁾ Tolerance: S = ± 2,5 mm and RL = ± 3,8 mm

Optional potentiometer

Stroke [mm]	With limit switch ¹⁾						Without limit switch ²⁾					
	102	153	204	305	457	610	102	153	204	305	457	610
Retracted length (RL)	482	482	533	697	849	1002 (code A02)	418	457	457	559	773	926

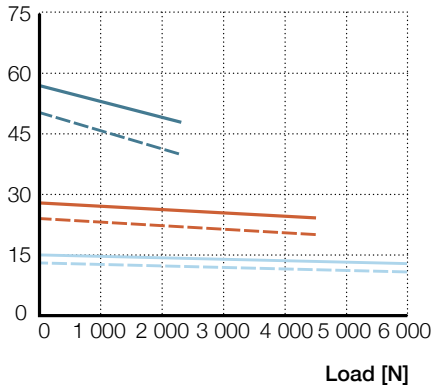
¹⁾ Tolerance: S and RL = ± 5,0 mm (If S≥305 mm, S = ± 7,5 mm)

²⁾ Tolerance: S = ± 2,5 mm and RL = ± 3,8 mm

Performance diagrams

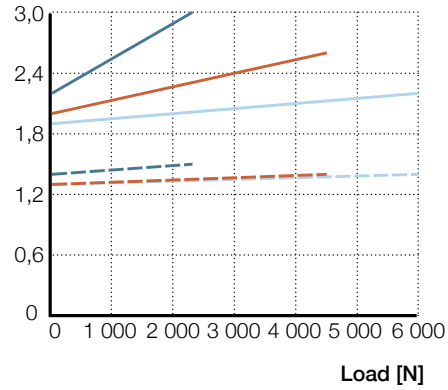
Speed-load diagram

Speed [mm/s]



Current-load diagram

Nominal current [A]

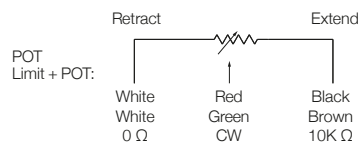
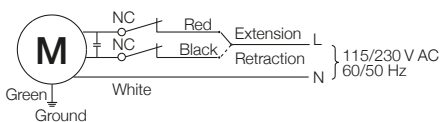
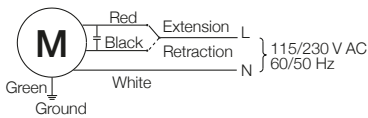


- 1 (115 VAC) — 2 (115 VAC) — 3 (115 VAC)
- - - 1 (230 VAC) - - - 2 (230 VAC) - - - 3 (230 VAC)

Electrical specifications

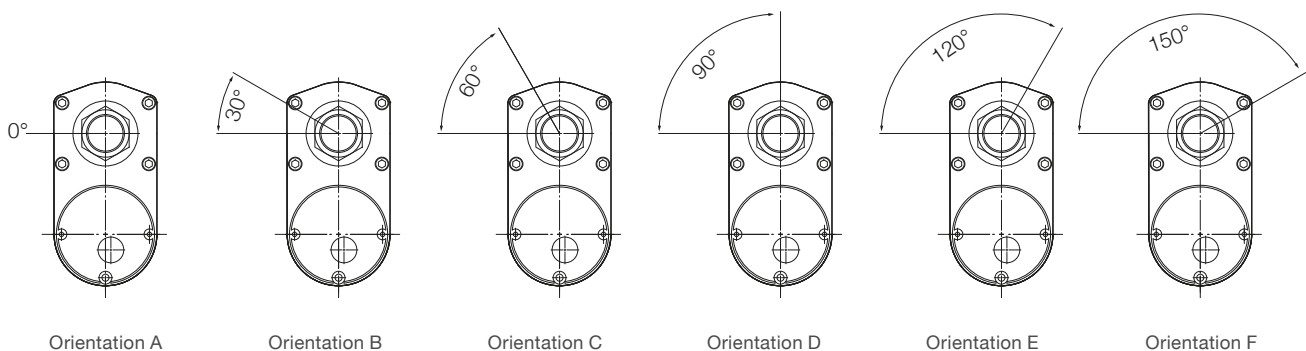
Potentiometer resolution

Stroke [mm]	102	153	204	305	457	610
Ω /mm	59,0	59,0	29,5	29,5	9,84	9,84

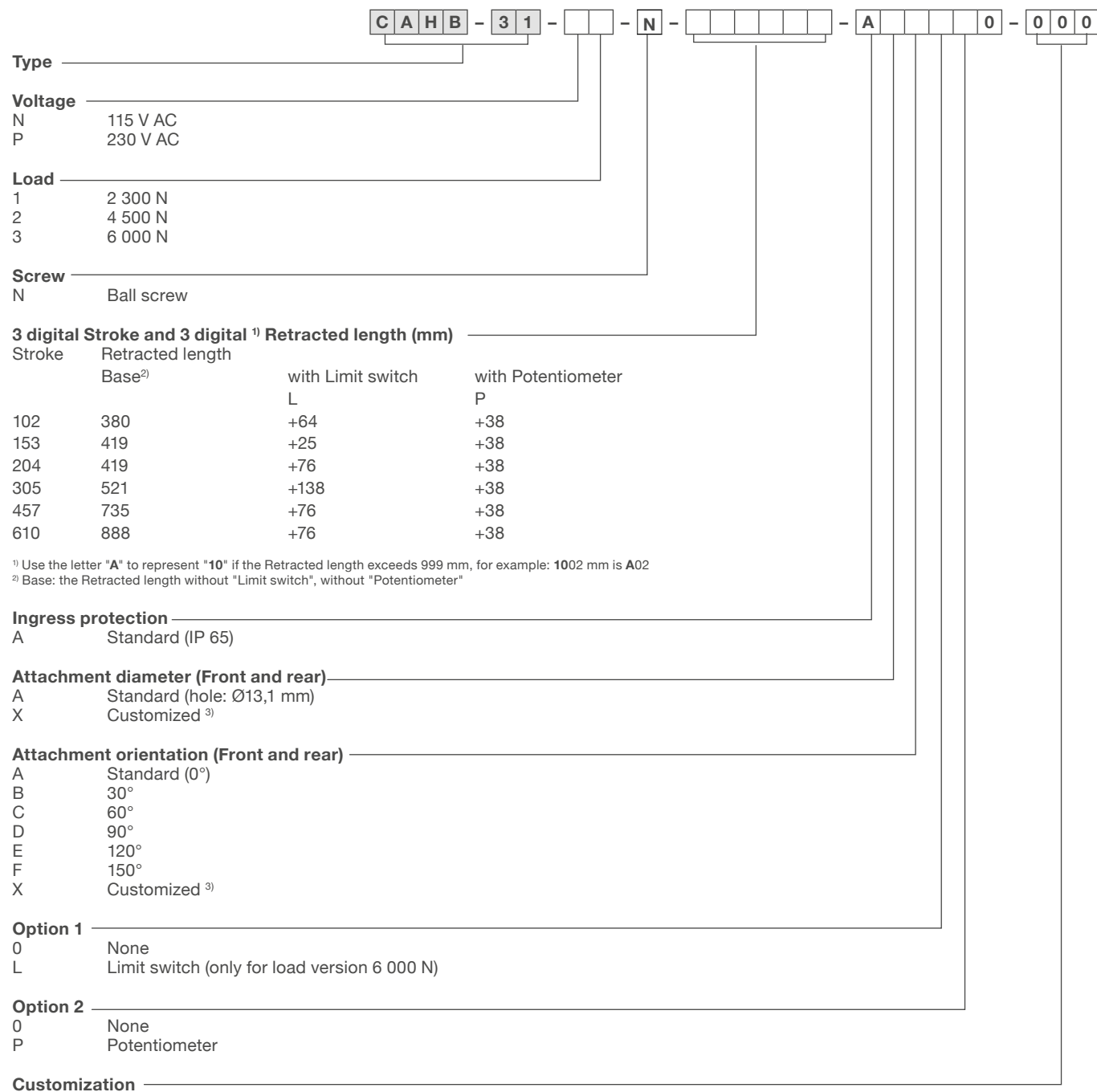


Attachment orientation

(refer to ordering key Attachment orientation)



Ordering key



¹⁾ Only available on request. Contact Ewellix for more information on minimum quantities and additional costs.

CAHB series - Environmental tests

Climatic tests						
Test and Standard	CAHB-20xE, CAHB-21xE, CAHB-22xE		CAHB-10		CAHB-30, CAHB-31	
	Performance	Report No.	Performance	Report No.	Performance	Report No.
Cold test EN60068-2-1 (Ab)	Storage at low temperature Temperature: -40 °C Duration: 6 hours Not connected Tested at room temperature.	PH_TR0295	Storage at low temperature Temperature: -40 °C Duration: 96 hours Not connected Tested at room temperature.	"Low temperature for CAHB-10"	Storage at low temperature: Temperature: -40 °C Duration: 8 hours Not connected Tested at room temperature.	PH_TR0265
Cold test EN60068-2-1 (Ad)	Storage at low temperature Temperature: -30 °C Duration: 6 hours Actuator is not activated/ connected Tested at low temperature.	PH_TR0295	Storage at low temperature Temperature: -20 °C Duration: 96 hours Actuator is not activated/ connected Tested at low temperature.	"Low temperature for CAHB-10"	Storage at low temperature: Temperature: -26 °C Duration: 8 hours Not connected Tested at room temperature.	PH_TR0265
Dry Heat EN60068-2-2 (Bb)	Storage at high temperature Temperature: +90 °C Duration: 72 hours Actuator is not activated/ connected. Tested at room temperature	PH_TR0278	Storage at high temperature Temperature: +85 °C Duration: 96 hours Actuator is not activated/ connected. Tested at room temperature	"High temperature for CAHB-10"	-	-
Change of temperature EN60068-2-14 (Na)	Rapid change of temperature High temperature: +100 °C in 60 min. Low temperature: -30 °C in 60 min. Transition time: < 10 seconds Duration: 100 cycles Actuator is not activated/ connected. Tested at room temperature.	PH_TR0278	-	-	-	-
Salt mist EN60068-2-52 (Kb)	Salt spray test Salt solution: 5 % sodium chloride (NaCl) 4 spraying periods, each of 2 hours. Humidity storage 7 days after each. Actuator not activated/ connected. Exposure time: 250 hours	PH_TR0268	Salt spray test Salt solution: 5 % sodium chloride (NaCl) 4 spraying periods, each of 2 hours. Humidity storage 7 days after each. Actuator not activated/ connected. Exposure time: 96 hours	"Salt spray test for CAHB-10"	-	-
Degrees of protection IEC 60529	1. Test Item: IP6XM Test Condition: Movement Test Dust: Talcum powder Dust Concentration: 2 kg/m ³ chamber volume and be kept in suspension during the test Test Duration: 8 hours	SHIN1607036235PS	1. Test Item: IP6XS Test Condition: Static Type of dust: Talcum powder Test Duration: 8 hours	COM12-GPE080184AN, COM12-GPE080183AN	-	-
Degrees of protection IEC 60529	2. Test Item: IPX6M Test Condition: Movement Flux: 100 L/min Nozzle diameter: Ø12,5 mm Distance: 2,5 ~ 3,0 m Test duration: 3 min	SHIN1607036235PS	2. Test Item: IPX6S Test Condition: Static Flux: 100 (1 ±5 %) L/min Nozzle diameter: Ø12,5 mm Distance: 2,5 ~ 3,0 m Test duration: 3 min	COM12-GPE080184AN, COM12-GPE080183AN	2. Test Item: IPX5S Test Condition: Static Flux: 12,5 L/min Nozzle diameter: Ø6,3 mm Distance: 2,5 ~ 3,0 m Test duration: 3 min	SHIN1608042057MR
Degrees of protection ISO 20653:2013	3. Test Item: IPX9K Test Condition: Static Water flow: 14~16 L/min Water pressure: 8 000~10 000 kPa Water temperature: 80 to -5 °C Test angle: 0°, 30°, 60°, 90° Test distance from jet to sample: 100~150 mm Test duration: 30 s/position	SHIN1607036235PS	3. Test Item: IPX9K Test Condition: Static Water flow: 14~16 L/min Water pressure: 8 000~10 000 kPa Water temperature: 80 to -5 °C Test angle: 0°, 30°, 60°, 90° Test distance from jet to sample: 100~150 mm Test duration: 30 s/position	SHIN1510048959MR-01	-	-

Climatic tests						
Test and Standard	CAHB-20xE, CAHB-21xE, CAHB-22xE		CAHB-10		CAHB-30, CAHB-31	
	Performance	Report No.	Performance	Report No.	Performance	Report No.
Resistance to chemical product	-	-	Reagent on the surface 3 days 100 hours 0# Diesel Mobile H46 antiwear hydraulic Hydraulic DOT brake oil 50% Ethyleneglycol solution Urea saturated solution DEF NPK (15-15-15)	SHIN2104020949MR-01	-	-

Climatic tests		
Test and Standard	CAHB-20xS, CAHB-21xS, CAHB-22xS Performance	Report No.
Temperature shock test	-55°C to +95°C, ≤15S 100 cycles	SHIN2007039234MR
Temperature cycle test	-40°C to +85°C 18h/cycle 10 cycles	SHIN2106042981PS
High temperature soak test (Operational)	+85°C, 96 hours	SHIN2012077900MR-01
Low temperature soak test (Operational)	-40°C, 96 hours	SUIN2101000352MR
Storage temperature	-55°C to +110°C, 24 hours	SUIN2012009686MR
Humidity and temperature cycles ISO16750-4:2010 Section 5.6	+25°C, 95%RH to +55°C, 95%RH 24 hours/cycle, 6 cycles	SUIN2012009687MR
Salt mist EN60068-2-52 (Kb)	500 hours	PH_TR0404
Degrees of protection IEC 60529	IP6xS, IP6xM	SHIN1607036235PS
Degrees of protection ISO 20653: 2013	IPx9K	SHIN1607036235PS
Resistance to chemical product	Reagent on the surface 3 days 100 hours 0# Diesel Mobile H46 antiwear hydraulic Hydraulic DOT brake oil 50% Ethyleneglycol solution Urea saturated solution DEF NPK (15-15-15)	SHIN2104020959MR-01

Mechanical tests

Test and Standards	CAHB-20xE, CAHB-21xE, CAHB-22xE		CAHB-10	Report No.	CAHB-30, CAHB-31	
	Performance	Report No.	Performance		Performance	Report No.
Vibration	Test Item: Random vibration		SHIN1607036235PS	-	-	-
EN60068-2-6 (Fdb)	Frequency (Hz)	Power spectral density level	SHIN1702007025PS			
EN60068-w2-6(Fc)	10	0,005				
	200	0,02				
	300	0,01				
	350	0,002				
	Test Direction: X/Y/Z axis					
	Test Duration: 2 hours/axis, Total 6 hours					
	Test Item: Sinusoidal vibration					
	Test Condition:					
	Frequency range: 5~25~200 Hz					
	Amplitude: 3,3 mm (p-p)					
	Acceleration: 4g					
	Sweep Rate: 10 ct/min					
	Test Direction: X/Y/Z axis					
	Test Duration: 2 hours/axis, Total 6 hours					
Vibration	-	-	Test Item:	SHIN1805034119SC	-	-
Ewellix Specified			Vibration Set Point (Grms)	Dwell Time(min)	SHIN1805032588SC	
Conditions			5	10		
			10	10		
			15	10		
			20	10		
			20	20		
			20	30		
			Test Equipment Name			
			Halt Tester	Typhoon-2,5+		

Mechanical tests

Test and Standard	CAHB-20xS, CAHB-21xS, CAHB-22xS Performance	Report No.
Mechanical shock	245-500 m/s ² 3-100 impacts/axis	SUIN2106004489MR
Mechanical shock (Drop)	1m height onto concrete	PH_TR0430
Random vibration for AG/CE wheeled vehicle	24 hours/axis 5 Hz @ PSD 5.29 (m/s) ² /Hz 100 Hz @ PSD 14.44 (m/s) ² /Hz 1 000 Hz @ PSD 14.44 (m/s) ² /Hz 2 000 Hz @ PSD 3.66 (m/s) ² /Hz	SUIN2106004491MR-01
Vibration-random resistance	6.9 g RMS 2 hours/axis	SHIN2011076082PS

Electrical tests						
Test and Standards	CAHB-20xE, CAHB-21xE, CAHB-22xE		CAHB-10		CAHB-30, CAHB-31	
	Performance	Report No.	Performance	Report No.	Performance	Report No.
Power supply 12 VDC ASAE EP455 (1990)	Operating voltages: +10 V ~ +16 V Over voltage: +26 V / 5 min. Reverse polarity: -26 V / 5 min. Short circuit to ground: 16 V / 5 min. Short circuit to supply: 16 V	PH_TR0267 PH_TR0302	-	-	-	-
Power supply 24 VDC ASAE EP455 (1990)	Operating voltages: +21 V ~ +26 V Over voltage: +36 V / 5 min Reverse polarity: -36 V / 5 min Short circuit to ground: 32 V / 5 min Short circuit to supply: 32 V	PH_TR0267 PH_TR0302	-	-	-	-
Safety Low Voltage Directive EN 60335-1: 2012 + A11: 2014	-	-	-	-	Rated Voltage: 230 V AC Rated frequency: 50 Hz Rated Current: 1,5 A Degree of protection: IP65	UL 4787638796
EN 60335-2-97: 2006 + A11: 2008 + A2:2010 + A12: 2015 EN 62233: 2008	-	-	-	-	Rated Voltage: 230 V AC Rated frequency: 50 Hz Rated Current: 1,5 A Degree of protection: IP65	UL 4787638796
EMC, HF-immunity EN 61000-6-1	-	-	Pass the test for 12 V / 24 V Motor	70.888.12.1063.02	-	-
EN 61000-6-2	Pass the test for 12 V / 24 V Motor	708881688102-00				
EMC, Emission EN 61000-6-3	-	-	Inside limits for 12 V / 24 V motor	70.888.12.1063.02	-	-
EN 61000-6-4	Inside limits for 12 V / 24 V motor	708881688102-00	-	-	-	-
EN 50081-2 (1993) EN 55011 (1998)	-	-	-	-	Class B	EM99777 (IA4=CAHB-30 CAHB-31 series)
EMC, Automotive transients ISO 7637-2	ISO 7637 Load dump test only accepted on motor power connection	708881688103-00	-	-	-	-
UL certification					UL 325 ANSI/CAN/UL-Door	20190822-E507157
UL registration	Cable flammability test VW-1 (UL758, UL1581, CSA C22.2 N°.210)	BELDEN E357312-S 2C14 SHIELDED BELDEN E357312-S 3C22 2C14 BELDEN E357312-S 2C14 4C26				

Electrical tests		
Test and Standard	CAHB-20xS, CAHB-21xS, CAHB-22xS Performance	Report No.
Electrical Steady State 12 VDC ISO16750-2 3rd edition	<ul style="list-style-type: none"> • Operating voltage: 14±0.2 (Engine running), 12±0.2 (Engine not running) • Over Voltage: 18V/60mins • Reverse Polarity: -26V/5mins • Short circuit to ground: 16V/5mins • Short circuit to supply: 16V/1mins/10times • Jump Start: 24V/60±6s • Ground Reference and Supply Offset: power line offset ±2 V, ground line offset ±1 V • Ground Reference Disconnection • Power Supply Disconnection • Superimposed Alternating Voltage on Supply lines: 16 V/Upp 4 V/120s/5times • Start Cycle: Level I to IV/Tol. -0.2V/Duration ±10% • Slow Decrease and Increase of Supply Voltage: Us-min 6 - 10V, Us-max 16 - 21V, 0.5V/min • Momentary drop in supply voltage: 100ms/4.5V • Reset behavior after voltage drop: Us-min 4.5V decrease 0.5V/10s • Load Dump: Test A(without centralized protection) 100V/400ms/1Ω (valid for 12 V version, Protection code "U") 	WTU21U03019493V-2 (valid for 12V version, Protection code "T" and "U")
Electrical Steady State 24 VDC ISO16750-2 3rd edition	<ul style="list-style-type: none"> • Operating voltage: 28±0.2 (Engine running), 24±0.2 (Engine not running) • Over Voltage: 36V/60mins • Reverse Polarity: -36V/5mins • Short circuit to ground: 32V/5mins • Short circuit to supply: 32V/1mins/10times • Jump Start: 36V/60±6s • Ground Reference and Supply Offset: power line offset ±2 V, ground line offset ±1 V • Ground Reference Disconnection • Power Supply Disconnection • Superimposed Alternating Voltage on Supply lines: 32 V/Upp 4 V/120s/5times • Start Cycle: Level I to III/Voltage tol. -0.2V/Duration ±10% • Slow Decrease and Increase of Supply Voltage: Us-min 8 - 18V, Us-max 32V, 0.5V/min • Momentary drop in supply voltage: 100ms/9V • Reset behavior after voltage drop: Us-min 10V decrease 0.5V/10s • Load Dump: Test B(with centralized protection) 58V/350ms/2Ω (valid for 24 V version, Protection code "T") 	WTU21U03019492V-2 (valid for 24V version, Protection code "T")
Sinusoid Changes of Supply Voltage	12V systems: Test level: Vb1: 12V, Vb2: 6V, Vb3: 8V 24V systems: Test level: Vb1: 24V, Vb2: 8V, Vb3: 10V	WTU21U03019493V-2 (valid for 12 version, Protection code "T") WTU21U03019492V-2 (valid for 24 version, Protection code "T")
EMC Transient Conducted Disturbances ISO7637-3	CCC, ICC	WTU21U03019493V-1 (valid for 12 version, Protection code "T") WTU21U03019492V-1 (valid for 24 version, Protection code "T")
EMC Conducted Transient Immunity Power Line ISO7637-2	Positive Inductance Transient Tests Pulse 2a 2b Positive and Negative Burst Coupling Tests Pulse 3a 3b Pulse 4, Cranking Test Cranking Test at Low Temperature Pulse 4	WTU21U03019493V-1 (valid for 12 version, Protection code "T") WTU21U03019492V-1 (valid for 24 version, Protection code "T")
EMC Conducted Emissions/Interference Test	Class 3	WTU21U08086163V (valid for 12 version, Protection code "T")
EMC Conducted Emission EN61000-6-4	0.15 to 0.5 MHz QP=79, AV=66 (dBµV) 0.5 to 30 MHz QP=73, AV=60 (dBµV)	EED39M000483 (valid for 12 version, Protection code "T")
EMC Radiated Emissions/Interference Test CISPR 25-2008	Class 3	WTU21U08086163V (valid for 12 version, Protection code "T")
EMC Radiated Emission EN61000-6-4	30 to 230 MHz QP=50 (dBµV/m) 230 to 1000 MHz QP=57 (dBµV/m)	EED39M000483 (valid for 12 version, Protection code "T") EED39M000482 (valid for 24 version, Protection code "T")
EMC Radiated Emission EN55011	Class A	WTU21U09098252E (valid for 24 version, Protection code "V")
EMC ESD IEC61000-4-2	Air discharge: ±8kV Contact discharge: ±4kV	EED39M000483 (valid for 12 version, Protection code "T") EED39M000482 (valid for 24 version, Protection code "T")
EMC Electrical fast transient/burst immunity (EFT) IEC61000-4-4	5kHz, 5/50 ns, 15ms, 300ms Power line ±2kV, signal line ±1kV	EED39M000483 (valid for 12 version, Protection code "T") EED39M000482 (valid for 24 version, Protection code "T")
EMC Power-frequency magnetic field immunity IEC61000-4-8	50Hz, 1min, XYZ, 30A/m	EED39M000483 (valid for 12 version, Protection code "T") EED39M000482 (valid for 24 version, Protection code "T")
UL registration	Cable flammability test VW-1 (UL758, UL1581, CSA C22.2 N°:210)	BELDEN E357312-S 1PR14 1PR26 2C26 BELDEN E357312-S



ewellix.com

© Ewellix

All contents of this publication are the property of Ewellix, and may not be reproduced or given to third parties (even extracts) without permission. Although great care has been taken in the production of this catalog, Ewellix does not take any responsibility for damage or other loss resulting from omissions or typographical errors. The photo may differ slightly in appearance from the actual product. Due to continuous improvements being made in our products, the product's appearance and specifications are subject to change without notice.

PUB NUM IL-06022/2-EN-January 2023

Certain image(s) used under license from Shutterstock.com.