

1) Teach reference image 2) Power 3) Output 1 active 4) Output 2 active 5) Connection with PC 6) Sharpness

- BVS-E Universal
- Series Universal
- Focal distance 6.0 mm
- LED, infrared



General attributes

Adjuster	Adjusting ring (1x) Key (1x)
Approvals / Conformity	CE cULus
Basic standard	IEC 60947-5-2 EN 62471:2008
Duration of time function	Impulse 1...1000 ms or infinite Delay 0...1000 ms
Enclosure Type per IEC 60529	IP54
Indicator	Connection with PC - LED GN Output 1 active - LED OG Output 2 active - LED OG Power - LED GN
Input function	Trigger
No. of charac. per inspec. max	255
Number of inspections max.	20
Polarity reversal protected	yes
Series	Series Universal
Setting	Image sharpness Teach-in reference image
Short circuit protected	yes
Time function	Turn-on and -off delay Single pulse

Electrical attributes

Auxiliary output	Trigger output PNP
Connection type	Connector
Eff. operating current Ie	100 mA
Eff. operating voltage Ue DC	24.0 V
Interface	RS232 (9.6...115.2 kBaud) Ethernet 10/100 Base T
No-load current max. I _o at U _e	200 mA
Operating voltage UB max. DC [V]	26.0 V
Operating voltage UB min. DC [V]	22.0 V
Ripple max. (% of U _e)	10 %
Switching function	NO
Switching output	PNP (2x)
Voltage drop Ud max. (at I _e)	1.8 V

Mechanical attributes

Ambient temperature Ta max.	55 °C
Ambient temperature Ta min.	-10 °C
Connector type	M 12x1, 4 pole, A-coded M12x1, 4 pole, D-coded
Far working distance Wh	1000 mm
Housing material	GD-AL, ABS
Length 1	51.5 mm
Length 2	40.0 mm
Length 3	70.0 mm
Mounting type	Screw M4
Near working distance Wl	50 mm
Sensing face material	PMMA
Style	Block, 90° connection
Surface protection	Painted
Working range	50...1000 mm

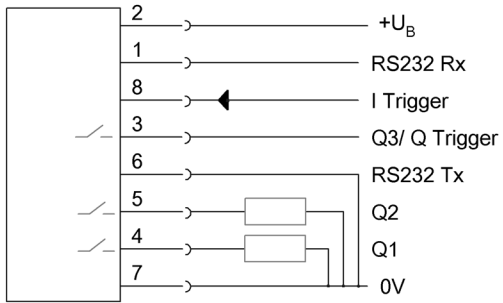
Optical attributes

Detection rate typ.	3...40 Hz
Field of view max.	676 x 507 mm
Field of view min.	34 x 25 mm
Image resolution max.	VGA 640 x 480 Pixel
LED group acc. IEC 62471	Exempt group
Lens	Focal distance 6.0 mm
Light type	LED, infrared
Optical special feature	Incid. light, can be disabled Infrared pass filter
Principle of optical operation	CMOS image sensor black-white
Wavelength	870 nm

Additional text

Detection rate is dependent on the evaluation function.
 Use of external illumination recommended for working distances greater than 300 mm.
 Only for NFPA 79 applications (machines with a supply voltage of maximum 600 volts).
 Appropriate connectors can be obtained from Balluff.
 When not in use, protect interface plug from penetration by dust and liquids. Protective cap is included in the scope of delivery.
 Order accessories separately.
 Do not press key using a pointed tool.
 For additional information, refer to user's guide.

Conn. "PWR IO"



Conn. "To PC"

