

1) Teach reference image 2) Power 3) Output 1 active 4) Output 2 active 5) Connection with PC 6) Sharpness

- BVS-E Identification
- Series ID
- Focal distance 6.0 mm
- LED, infrared



General attributes

Adjuster	Key (1x)
Approvals / Conformity	Adjusting ring (1x)
Basic standard	cULus
Duration of time function	CE
Enclosure Type per IEC 60529	EN 62471:2008
Indicator	IEC 60947-5-2
Input function	Impulse 1...1000 ms or infinite
No. of charac. per inspec. max	Delay 0...1000 ms
Number of inspections max.	IP54
Polarity reversal protected	Connection with PC - LED GN
Series	Power - LED GN
Setting	Output 2 active - LED OG
Short circuit protected	Output 1 active - LED OG
Time function	Trigger
	255
	20
	yes
	Series ID
	Teach-in reference image
	Image sharpness
	yes
	Turn-on and -off delay
	Single pulse

Electrical attributes

Auxiliary output	Trigger output PNP
Connection type	Connector
Eff. operating current Ie	100 mA
Eff. operating voltage Ue DC	24.0 V
Interface	Ethernet 10/100 Base T
No-load current max. I _o at U _e	RS232 (9.6...115.2 kbaud)
Operating voltage UB max. DC [V]	200 mA
Operating voltage UB min. DC [V]	26.0 V
Ripple max. (% of U _e)	22.0 V
Switching function	10 %
Switching output	NO
Voltage drop Ud max. (at I _e)	PNP (2x)
	1.8 V

Mechanical attributes

Ambient temperature Ta max.	55 °C
Ambient temperature Ta min.	-10 °C
Connector type	M 12x1, 4 pole, A-coded
Far working distance Wh	M12x1, 4 pole, D-coded
Housing material	1000 mm
Length 1	GD-AL, ABS
Length 2	51.5 mm
Length 3	40.0 mm
Mounting type	70.0 mm
Near working distance Wl	Screw M4
Sensing face material	50 mm
Style	PMMA
Surface protection	Block, 90° connection
Working range	painted
	50...1000 mm

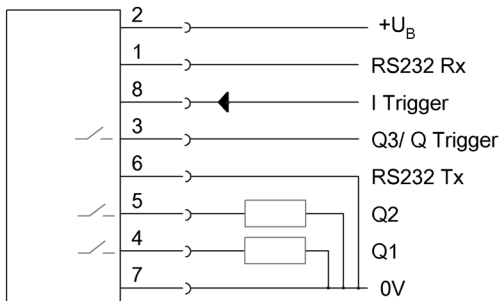
Optical attributes

Detection rate typ.	3...40 Hz
Field of view max.	676 x 507 mm
Field of view min.	34 x 25 mm
Image resolution max.	VGA 640 x 480 Pixel
LED group acc. IEC 62471	Exempt group
Lens	Focal distance 6.0 mm
Light type	LED, infrared
Optical special feature	Infrared pass filter
	Incid. light, can be disabled
	CMOS image sensor black-white
	870 nm
Principle of optical operation	
Wavelength	

Additional text

Do not press key using a pointed tool.
 Order accessories separately.
 For additional information, refer to user's guide.
 Only for NFPA 79 applications (machines with a supply voltage of maximum 600 volts).
 Appropriate connectors can be obtained from Balluff.
 Use of external illumination recommended for working distances greater than 300 mm.
 Detection rate is dependent on the evaluation function.
 When not in use, protect interface plug from penetration by dust and liquids. Protective cap is included in the scope of delivery.

Conn. "PWR IO"



Conn. "To PC"

