

1) Teach reference image 2) Power 3) Output 1 active 4) Output 2 active 5) Connection with PC 6) Sharpness

- BVS-E Standard
- Series OI
- Focal distance 8.0 mm
- LED, infrared



General attributes

Adjuster	Key (1x) Adjusting ring (1x)
Approvals / Conformity	cULus CE
Basic standard	EN 62471:2008 IEC 60947-5-2
Duration of time function	Impulse 1...1000 ms or infinite Delay 0...1000 ms
Enclosure Type per IEC 60529	IP54
Indicator	Connection with PC - LED GN Power - LED GN Output 2 active - LED OG Output 1 active - LED OG
Input function	Program selection Trigger
No. of charac. per inspec. max	255
Number of inspections max.	20
Polarity reversal protected	yes
Series	Series OI
Setting	Teach-in reference image Image sharpness
Short circuit protected	yes
Time function	Turn-on and -off delay Single pulse

Electrical attributes

Auxiliary output	Trigger output PNP
Connection type	Connector
Eff. operating current Ie	100 mA
Eff. operating voltage Ue DC	24.0 V
Interface	Ethernet 10/100 Base T
No-load current max. I _o at U _e	200 mA
Operating voltage UB max. DC [V]	26.0 V
Operating voltage UB min. DC [V]	22.0 V
Ripple max. (% of U _e)	10 %
Switching function	NO
Switching output	PNP (3x)
Voltage drop Ud max. (at I _e)	1.8 V

Mechanical attributes

Ambient temperature Ta max.	55 °C
Ambient temperature Ta min.	-10 °C
Connector type	M 12x1, 4 pole, A-coded M12x1, 4 pole, D-coded
Far working distance Wh	1000 mm
Housing material	GD-AL, ABS
Length 1	51.5 mm
Length 2	40.0 mm
Length 3	70.0 mm
Mounting type	Screw M4
Near working distance Wl	50 mm
Sensing face material	PMMA
Style	Block, 90° connection
Surface protection	painted
Working range	50...1000 mm

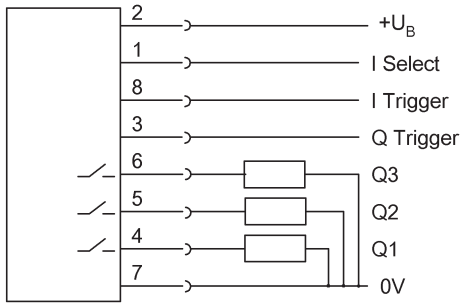
Optical attributes

Detection rate typ.	3...15 Hz
Field of view max.	480 x 360 mm
Field of view min.	24 x 18 mm
Image resolution max.	VGA 640 x 480 Pixel
LED group acc. IEC 62471	Exempt group
Lens	Focal distance 8.0 mm
Light type	LED, infrared
Optical special feature	Infrared pass filter Incid. light, can be disabled
Principle of optical operation	CMOS image sensor black-white
Wavelength	870 nm

Additional text

Do not press key using a pointed tool.
 Order accessories separately.
 For additional information, refer to user's guide.
 Only for NFPA 79 applications (machines with a supply voltage of maximum 600 volts).
 Appropriate connectors can be obtained from Balluff.
 Use of external illumination recommended for working distances greater than 300 mm.
 Detection rate is dependent on the evaluation function.
 When not in use, protect interface plug from penetration by dust and liquids. Protective cap is included in the scope of delivery.

Conn. "PWR IO"



Conn. "To PC"

