

1) Teach reference image 2) Power 3) Output 1 active 4) Output 2 active 5) Connection with PC 6) Sharpness

- BVS-E Advanced
- Series OI
- Focal distance 16.0 mm
- LED, red light



General attributes

Additional features
 Adjuster

Approvals / Conformity

Basic standard

Duration of time function

Enclosure Type per IEC 60529
 Indicator

Input function

No. of charac. per inspec. max
 Number of inspections max.
 Polarity reversal protected
 Series
 Setting

Short circuit protected
 Time function

Detection of the angular position
 Key (1x)
 Adjusting ring (1x)
 CE
 cULus
 IEC 60947-5-2
 EN 62471:2008
 Delay 0...1000 ms
 Impulse 1...1000 ms or infinite
 IP54
 Output 1 active - LED OG
 Connection with PC - LED GN
 Power - LED GN
 Output 2 active - LED OG
 Program selection
 Trigger
 255
 20
 yes
 Series OI
 Image sharpness
 Teach-in reference image
 yes
 Turn-on and -off delay
 Single pulse

Electrical attributes

Auxiliary output
 Connection type
 Eff. operating current Ie
 Eff. operating voltage Ue DC
 Interface
 No-load current max. I_o at U_e
 Operating voltage U_B max. DC [V]
 Operating voltage U_B min. DC [V]
 Ripple max. (% of U_e)
 Switching function
 Switching output
 Voltage drop U_d max. (at I_e)

Trigger output PNP
 Connector
 100 mA
 24.0 V
 Ethernet 10/100 Base T
 200 mA
 26.0 V
 22.0 V
 10 %
 NO
 PNP (3x)
 1.8 V

Mechanical attributes

Ambient temperature T_a max.
 Ambient temperature T_a min.
 Connector type

Far working distance W_h
 Housing material
 Length 1
 Length 2
 Length 3
 Mounting type
 Near working distance W_I
 Sensing face material
 Style
 Surface protection
 Working range

55 °C
 -10 °C
 M12x1-S115
 M12x1, 4 pole, D-coded
 1000 mm
 GD-AL, ABS
 51.5 mm
 40.0 mm
 70.0 mm
 Screw M4
 150 mm
 PMMA
 Block, 90° connection
 painted
 150...1000 mm

Optical attributes

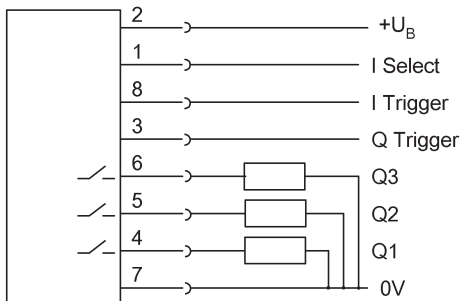
Detection rate typ.
 Field of view max.
 Field of view min.
 Image resolution max.
 LED group acc. IEC 62471
 Lens
 Light type
 Optical special feature
 Principle of optical operation
 Wavelength

3...50 Hz
 240 x 180 mm
 43 x 32 mm
 VGA 640 x 480 Pixel
 Exempt group
 Focal distance 16.0 mm
 LED, red light
 Incid. light, can be disabled
 CMOS image sensor black-white
 630 nm

Additional text

Do not use sensor where object is exposed to strong ambient light.
 Detection rate is dependent on the evaluation function.
 Do not press key using a pointed tool.
 Order accessories separately.
 For additional information, refer to user's guide.
 Only for NFPA 79 applications (machines with a supply voltage of maximum 600 volts).
 Appropriate connectors can be obtained from Balluff.
 When not in use, protect interface plug from penetration by dust and liquids. Protective cap is included in the scope of delivery.
 Use of external illumination recommended for working distances greater than 300 mm.

Conn. "PWR IO"



Conn. "To PC"

