

1) Teach reference image 2) Power 3) Output 1 active 4) Output 2 active 5) Connection with PC 6) Sharpness

- BVS-E Standard
- Series OI
- Focal distance 12.0 mm
- LED, red light



General attributes

| | |
|--------------------------------|---|
| Adjuster | Key (1x) |
| Approvals / Conformity | Adjusting ring (1x) cULus CE |
| Basic standard | IEC 60947-5-2 EN 62471:2008 |
| Duration of time function | Impulse 1...1000 ms or infinite Delay 0...1000 ms |
| Enclosure Type per IEC 60529 | IP54 |
| Indicator | Connection with PC - LED GN Power - LED GN Output 2 active - LED OG Output 1 active - LED OG |
| Input function | Trigger Program selection |
| No. of charac. per inspec. max | 255 |
| Number of inspections max. | 20 |
| Polarity reversal protected | yes |
| Series | Series OI |
| Setting | Image sharpness Teach-in reference image |
| Short circuit protected | yes |
| Time function | Single pulse Turn-on and -off delay |

Electrical attributes

| | |
|---|------------------------|
| Auxiliary output | Trigger output PNP |
| Connection type | Connector |
| Eff. operating current Ie | 100 mA |
| Eff. operating voltage Ue DC | 24.0 V |
| Interface | Ethernet 10/100 Base T |
| No-load current max. I _o at Ue | 200 mA |
| Operating voltage UB max. DC [V] | 26.0 V |
| Operating voltage UB min. DC [V] | 22.0 V |
| Ripple max. (% of Ue) | 10 % |
| Switching function | NO |
| Switching output | PNP (3x) |
| Voltage drop Ud max. (at Ie) | 1.8 V |

Mechanical attributes

| | |
|-----------------------------|--------------------------------------|
| Ambient temperature Ta max. | 55 °C |
| Ambient temperature Ta min. | -10 °C |
| Connector type | M12x1-S115 M12x1, 4 pole, D-coded |
| Far working distance Wh | 1000 mm |
| Housing material | GD-AL, ABS |
| Length 1 | 51.5 mm |
| Length 2 | 40.0 mm |
| Length 3 | 70.0 mm |
| Mounting type | Screw M4 |
| Near working distance Wl | 50 mm |
| Sensing face material | PMMA |
| Style | Block, 90° connection |
| Surface protection | painted |
| Working range | 50...1000 mm |

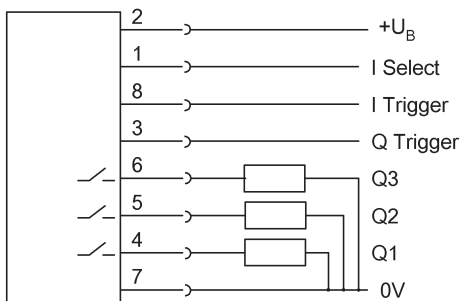
Optical attributes

| | |
|--------------------------------|-------------------------------|
| Detection rate typ. | 3...15 Hz |
| Field of view max. | 320 x 240 mm |
| Field of view min. | 16 x 12 mm |
| Image resolution max. | VGA 640 x 480 Pixel |
| LED group acc. IEC 62471 | Exempt group |
| Lens | Focal distance 12.0 mm |
| Light type | LED, red light |
| Optical special feature | Incid. light, can be disabled |
| Principle of optical operation | CMOS image sensor black-white |
| Wavelength | 630 nm |

Additional text

Detection rate is dependent on the evaluation function.
 Do not use sensor where object is exposed to strong ambient light.
 Use of external illumination recommended for working distances greater than 300 mm.
 Only for NFPA 79 applications (machines with a supply voltage of maximum 600 volts).
 Appropriate connectors can be obtained from Balluff.
 When not in use, protect interface plug from penetration by dust and liquids. Protective cap is included in the scope of delivery.
 For additional information, refer to user's guide.
 Order accessories separately.
 Do not press key using a pointed tool.

Conn. "PWR IO"



Conn. "To PC"

