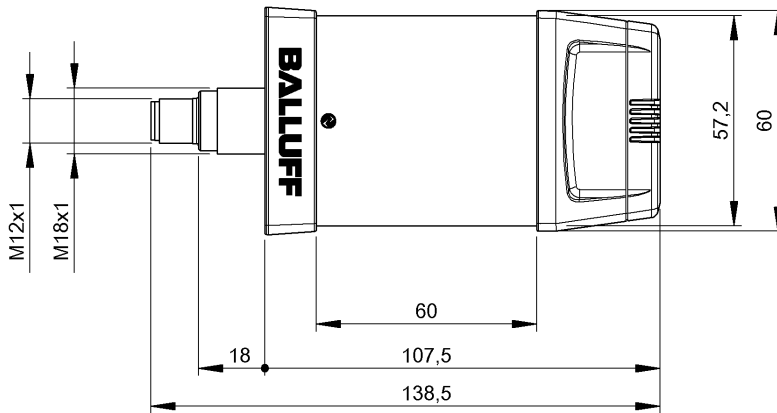


BNI IOL-800-000-Z037

BNI0087



Display/Operation

Buzzer function	yes
Function indicator	Chaser Stack light
IO-Link communication indicator	LED green
Module supply indicator	LED green

Predefined colors

yellow
white
green
blue
red

Scope of delivery

Lock washer
Rubber foot
Short guide
M4x6 screw
Hex nut M18x1

Electrical connection

Contact, surface protection	nickel plated 2 µm/gold plated 0.4 µm
-----------------------------	--

Material

Colors, number	7
Housing material	PC, Transparent
Housing shield	yes
Surface protection	Cu 15 µ Ni 15 µ

Electrical data

Cycle time min.	5 ms
IO-Link function	Device
Operating voltage U_b	18...30.2 VDC
Rated operating voltage U_e DC	24 V
Segments, number max.	1
Sound frequency	2800 +/- 500 Hz

Mechanical data

Application weight	390.00 g
Dimension	60 x 60 x 140 mm
Fastening detail	1-hole screw mount
Frame type	2.V
Grounding cable attachment	M4

Environmental conditions

Ambient temperature	-5...55 °C
Protection type IEC 60529	IP30
Storage temperature	-25...50 °C
Volume max.	95 dB/m

Output/Interface

Error signal	110 mA at 24V
IO-Link version	1.1
Process data cycle min.	5 ms
Process data out	1 bytes

General data

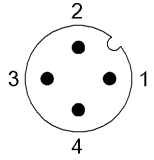
Approval/Conformity	CE
Dimmable	yes
Life expectancy min.	50000 h

Remarks

Installation instructions	See short guide
---------------------------	-----------------

BNI IOL-800-000-Z037
BNI0087

Connector view



IO-Link PIN 1: +24V PIN 2: n.c. PIN 3: GND PIN 4:
C/Q, IO-Link DC-Channel