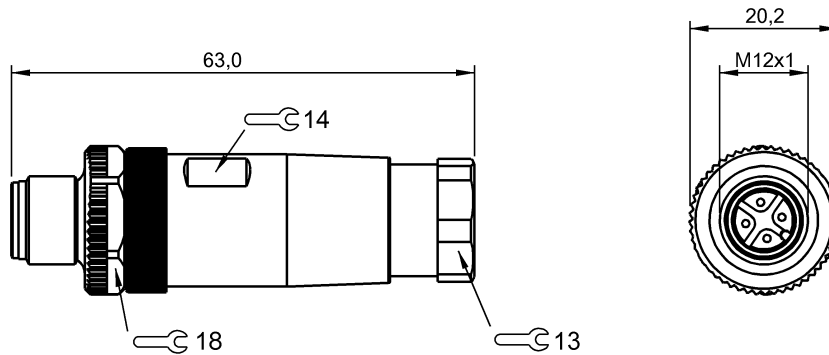


BCC M434-0000-2A-000-41X475-000

Ordercode: BCC06M4



Display/Operation

Power indicator no

Electrical connection

Cable diameter D 4...6 mm
 Connector 01, orientation straight
 Number of pins 4
 System Can be fabricated

Electrical data

Operating voltage U_b 250 VDC / 250 VAC
 Rated current (40 °C) 4.0 A

Environmental conditions

Ambient temperature -25...85 °C

Protection type IEC 60529

IP67

Material

Material contacts Brass
 Material cover nut Die-cast zinc
 Material grip PA

Mechanical data

Connection cross-section 0.14...0.75 mm²
 Tightening torque pigtail 0.6 Nm
 Type of wire mounting Screw terminals

Remarks

Enclosure rating per IEC 60529, only in screwed state with the associated mating piece.

Connector view

