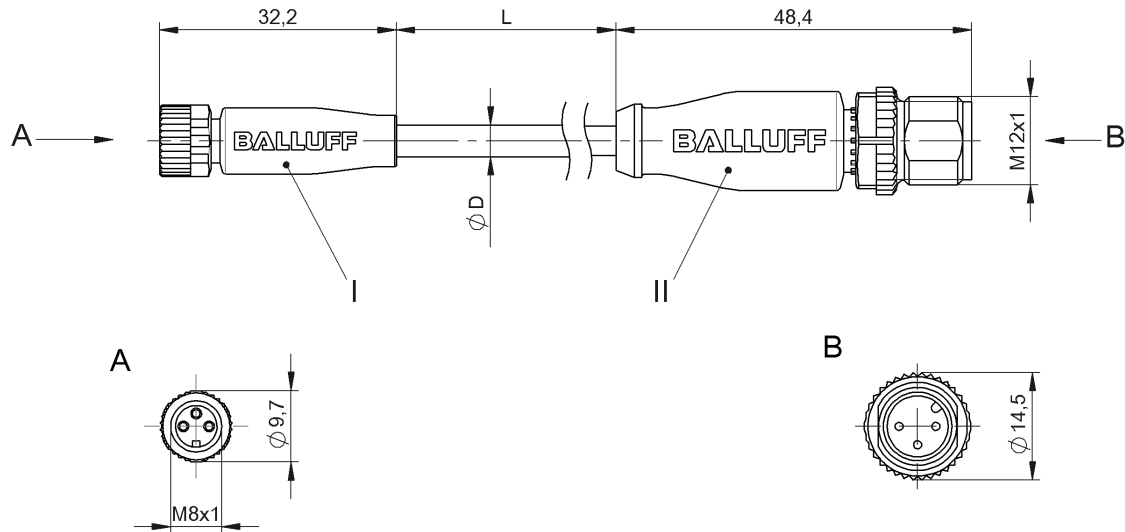


BCC M313-M413-3E-300-EX43T2-015

Ordercode: BCC052U



4MT5  
(CJ/VV CABLE ASSEMBLY)

## Electrical connection

Bending radius min., fixed cable	5 x D
Bending radius min., flexible cable	10 x D
Cable	Drag chain compatible
Cable diameter D	5.30 mm ±0.13 mm
Cable, bending cycles min.	10 million
Conductor cross-section	AWG 22
Connection 1	M8x1-Female, 3-pole, A-coded
Connection 2	M12x1-Male, 3-pole, A-coded
Connector 01, orientation	straight
Connector 02, orientation	straight
Number of conductors	3
Number of pins	3/3
System	Molded/Molded

## Electrical data

Cable rated voltage AC max.	300.0 V
Cable rated voltage DC max.	300.0 V
Operating voltage $U_b$	60 VDC / 60 VAC
Rated current (40 °C)	4.0 A

## Environmental conditions

Cable temperature, fixed routing	-50...105 °C
Cable temperature, flexible routing	-25...105 °C
Protection type IEC 60529	IP67 /IP68

## General data

Approval/Conformity	CE cULus LISTED
---------------------	--------------------

## Material

Cable jacket, material	TPE
Material contact carrier	PUR/PUR
Material contacts	Bronze/Brass
Material cover nut	Die-cast zinc/Die-cast zinc
Material grip	TPU/TPU

## Mechanical data

Cable jacket, color	yellow
Cable length	1.50 m
Cable properties	Drag chain compatible
Tightening torque pigtail	0.4 Nm/0.6 Nm

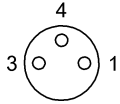
## Remarks

Enclosure rating per IEC 60529, only in screwed state with the associated mating piece.  
Cable construction acc. to UL-AWM Style 2037  
Flame resistance acc. to IEC 332-2

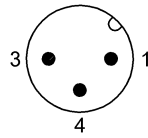
BCC M313-M413-3E-300-EX43T2-015

Ordercode: BCC052U

## Connector view



I



II

## Wiring Diagram

