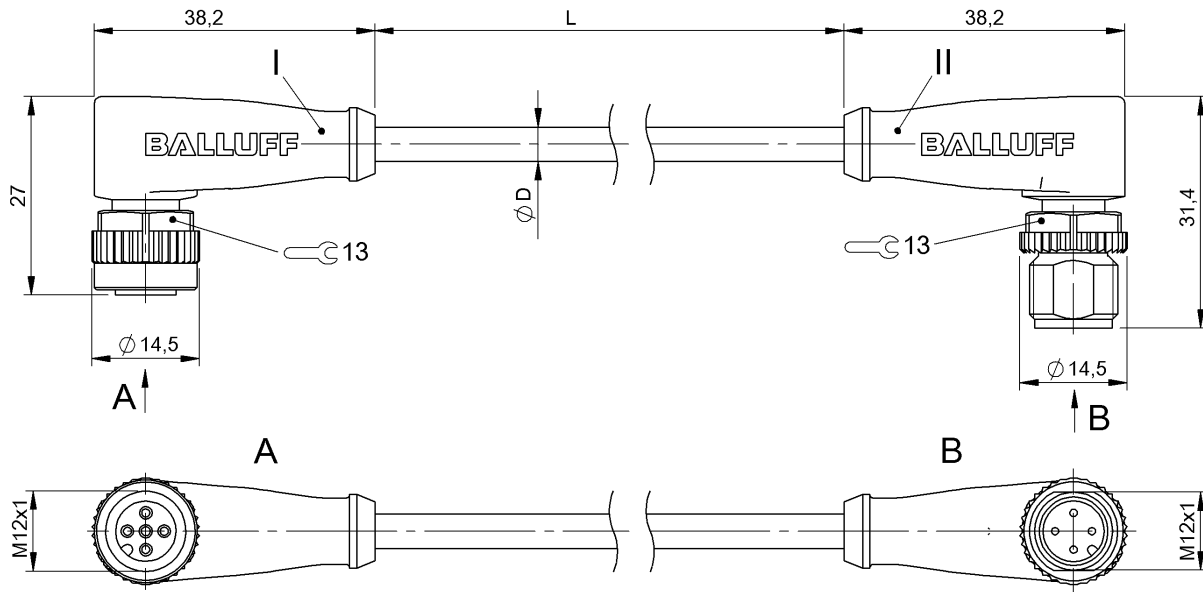


BCC M425-M424-3A-304-PX0434-015

Ordercode: BCC03AM



4MT5
(CJ/V CABLE ASSEMBLY)

Cable temperature UL max., flexible routing 80 °C

Electrical connection

Bending radius min., fixed cable	5 x D
Bending radius min., flexible cable	10 x D
Cable	PUR black, 1.50 m, Drag chain compatible
Cable diameter D	4.70 mm ±0.20 mm
Cable, bending cycles min.	5 million
Cable, torsion stress	±180°/m
Conductor cross-section	0.34 mm ²
Connection 1	M12x1-Female, 5-pole, A-coded
Connection 2	M12x1-Male, 4-pole, A-coded
Connector 01, orientation	angled
Connector 02, orientation	angled
Number of conductors	4
Number of pins	5/4
System	Molded/Molded

Electrical data

Operating voltage U _b	250 VDC / 250 VAC
----------------------------------	-------------------

Environmental conditions

Cable temperature, drag chain	-25...60 °C
Cable temperature, fixed routing	-50...90 °C
Cable temperature, flexible routing	-25...90 °C
Protection type IEC 60529	IP68 /IP68

Functional safety

Cable temperature UL max., fixed routing	80 °C
--	-------

General data

Approval/Conformity	cULus LISTED
---------------------	--------------

Material

Cable jacket, material	PUR
Material contact carrier	PUR/PUR
Material contacts	Bronze/Brass
Material cover nut	Die-cast zinc/Die-cast zinc
Material grip	PUR/PUR

Mechanical data

Acceleration max., drag chain	5 m/s ²
Cable jacket, color	black
Cable length	1.50 m
Cable properties	Drag chain compatible
Horizontal travel permitted, drag chain	5 m
Tightening torque pigtail	0.6 Nm/0.6 Nm
Traverse speed max., drag chain	200 m/min
Vertical travel permitted, drag chain	5 m

Remarks

Enclosure rating per IEC 60529, only in screwed state with the associated mating piece.
Cable construction acc. to UL-AWM Style 20549
Halogen-free per DIN VDE 0472 Part 815
Silicone-free
Flame-retarding acc. to IEC 60332-2

BCC M425-M424-3A-304-PX0434-015

Ordercode: BCC03AM

Connector view



Wiring Diagram

