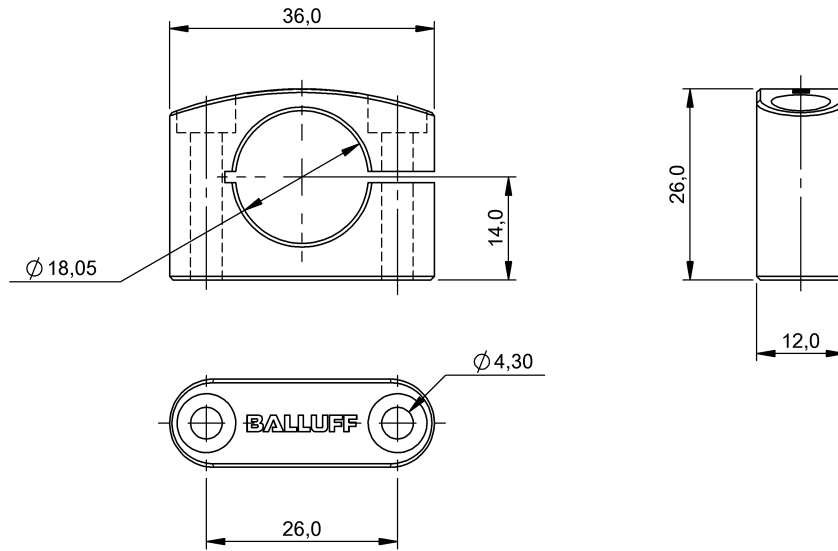


BAM MC-XA-027-D18,0-1

Ordercode: BAM0219



General data

Scope of delivery	Clamp holder (1x)
Use	for sensors $\varnothing 18$ mm for sensors M18
Version	Mounting cuff

Material

Material	Aluminum
----------	----------

Surface protection	anodized
--------------------	----------

Mechanical data

Clamping system	Fastening screw
Dimension	12 x 26 x 36 mm
Fastening detail	Screw M4