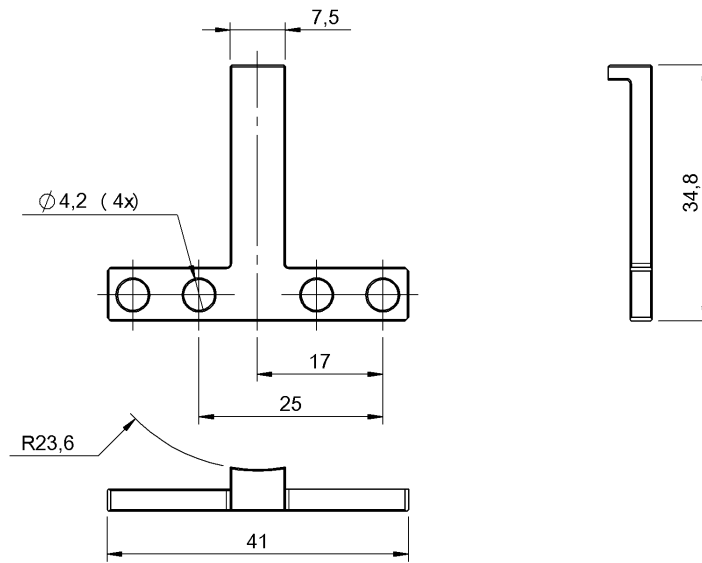


BAM FK-VS-002-03-1

Ordercode: BAM0206



## General data

Scope of delivery	Retaining system Screw ISO 4762-M4x6 (2x)
Use	for Vision sensor BVS

## Material

Material	Aluminum
Surface protection	anodized

## Mechanical data

Fastening detail	Screw M4
------------------	----------