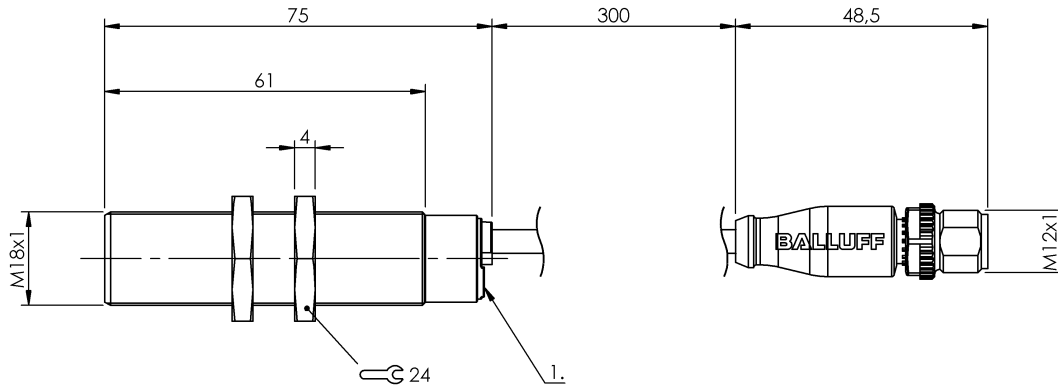


## BAE LX-VS-SR018 BAE00H0



1) Power green



### Display/Operation

Adjuster no

### Electrical connection

Cable length 0.3 m  
 Connection M12x1-Connector, 4-pole, A-coded  
 Connection type Cable with connector, 0.30 m  
 Polarity reversal protected yes

### Electrical data

Current draw max. 85 mA  
 Rated operating voltage U<sub>e</sub> DC 24 V

### Environmental conditions

Ambient temperature -10...50 °C  
 Protection type IEC 60529 IP67

### General data

Approval/Conformity CE  
 Basic standard IEC 60947-5-2  
 Operating mode Normal  
 Scope of delivery Spotlight  
 2x nut M18x1

Use Version for Vision sensor BVS  
 Spotlight

### Material

Housing material Stainless steel (1.4301)

### Mechanical data

Dimension Ø 18 x 75 mm  
 Fastening detail Nut M18x1

### Optical data

LED group per IEC 62471 Exempt Group  
 Light type LED Red light  
 Wave length 617 nm

### Output/Interface

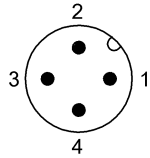
Digital inputs Trigger

### Remarks

For additional information, refer to user's guide.  
 Order accessories separately.  
 Install the device so that no direct view of the light source is possible even during operation.

BAE LX-VS-SR018  
BAE00H0

## Connector view



## Wiring Diagram

