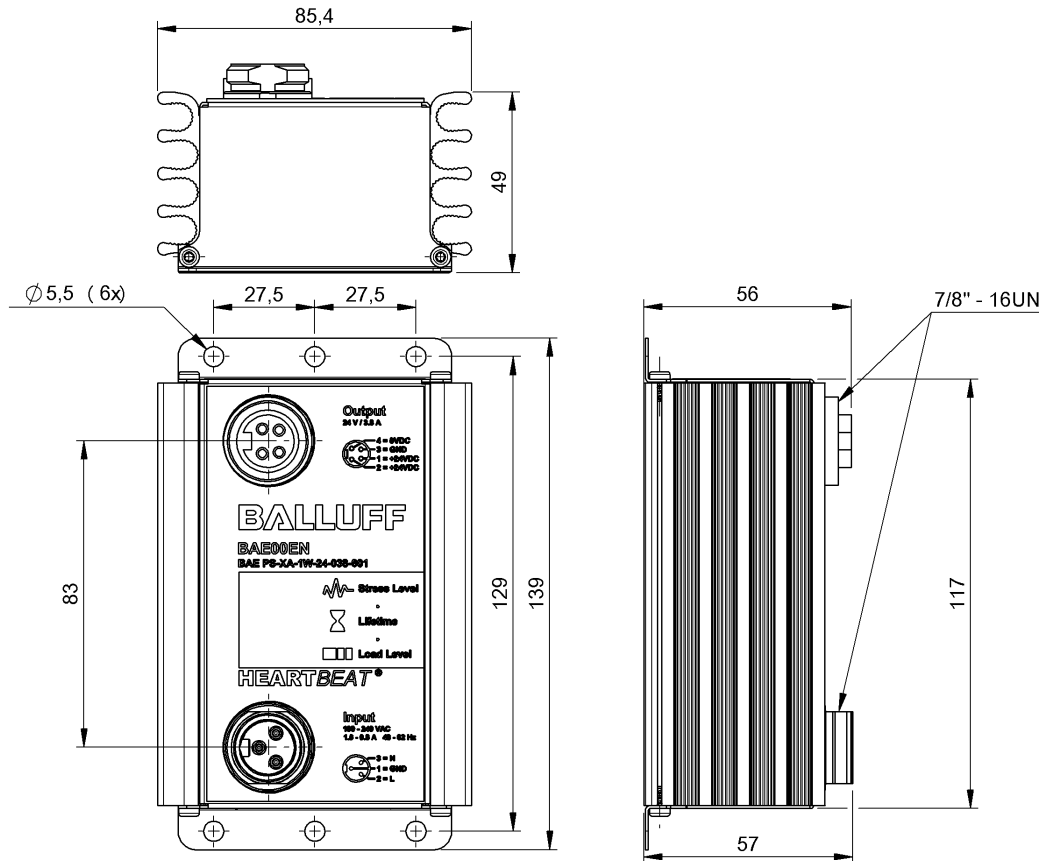


BAE PS-XA-1W-24-038-601
BAE00EN



Electrical connection

Connection	M12x1
Connection (supply voltage IN)	7/8"-Connector
Connection (supply voltage OUT)	7/8"-Female
Interconnected operation type	Parallel wiring: not possible Series wiring: max. 2 devices
Polarity reversal protected	yes
Short-circuit protection	continuous short circuit protection

Electrical data

Derating	-2.5 %/°C +60 °C
Efficiency typ.	91 %
Hold-up time	≥ 100 ms at 230 V AC ≥ 25 ms at 115 V AC
Input voltage	90...254 V AC
Input voltage	100...240 V AC, 1-phasing
Input/output, insulation voltage	3000 V AC
Inrush current	≤ 30 A
Isolation resistance	≥ 100 MOhm
Load control	±1 %
Output capacity max.	91.2 W
Output current max.	6 A for max. 4s
Output voltage	24 VDC

Output voltage tolerance	-1...3 %
Pollution degree	3
Power boost	150 %
Power boost, duration max.	4 s
Rated input current	1.6 A at 100 V AC 800 mA at 240 V AC
Rated output current	3.8 A
Settling time	1 ms
Switching frequency	140000 Hz
Turn-on time max.	1 s
Voltage control	±1 %

Environmental conditions

Ambient temperature	-25...70 °C
Cooling	Free convection
Over temperature	protected
Protection class	I
Protection type IEC 60529	IP67 with connector
Protection type IEC 60529 (connector)	IP67 with connector
Relative humidity	100 %
Storage temperature	-25...85 °C
Temperature coefficient max.	±0.03 %/K

BAE PS-XA-1W-24-038-601 BAE00EN

General data

Approval/Conformity	CE cURus
Basic standard	EN 61204
Series	Intelligent
Short description	Switching power supply
Version	IP67

Material

Housing material	Aluminum
------------------	----------

Mechanical data

Casting	PUR
Dimension	85.4 x 57 x 139 mm
Fastening detail	Flange mounting
Weight	1.00 kg

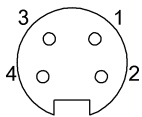
Range/Distance

Residual ripple max.	1 %
----------------------	-----

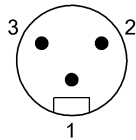
Remarks

Values measured at +25 °C and full load.

Connector view



PIN 1: +24V PIN 2: +24V PIN 3: GND PIN 4:
0V Power Out



PIN 1: GND PIN 2: L PIN 3: N Power IN