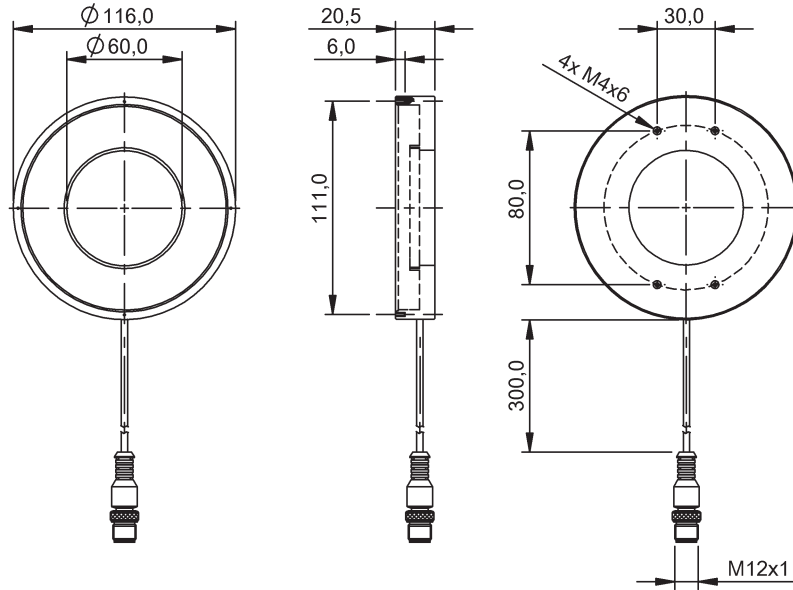




LED-Light - DO NOT STARE INTO BEAM! LED group per IEC 62471 Note: Use with IR-radiation and in boost mode, suitable shields or eye protection.



- Vision lighting system
- Ring lighting
- for vision sensor
- Series LX-VS
- Infrared

■ Aluminum



General attributes

Adjuster
 Application
 Approvals / Conformity
 Basic standard
 Enclosure Type per IEC 60529
 Input function

Polarity reversal protected
 Series

Electrical attributes

Connection type
 Current draw max.
 Eff. operating voltage Ue DC
 Input signal
 Light field size
 Mode

No
 for vision sensor
 CE
 IEC 60947-5-2
 IP54
 Operating mode normal/boost
 Emitter on/off
 Yes
 Series LX-VS

Cable with connector
 800 mA / 1300 mA (boost mode)
 24.0 V
 Trigger
 Ø100/Ø60 mm
 Normal/Boost

Mechanical attributes

Active surface
 Ambient temperature Ta max.
 Ambient temperature Ta min.
 Cable length
 Connector type
 Housing material
 Length 1
 Length 2
 Mounting type
 Sensing face material
 Style
 Surface protection
 Version

Ø100/Ø60 mm
 55 °C
 -10 °C
 0.30 m
 M12x1-S04
 Aluminum
 Ø116.0 mm
 20.5 mm
 Screw M4
 Glass
 Cyl., straight opt., 90° conn.
 Black anodized
 Ring lighting

Additional text

Order accessories separately.
 For additional information, refer to user's guide.
 The device must be mounted in a way, that staring into the emitted light is impossible during operation.

Vision lighting system

BAE LX-VS-RI100

Order code: BAE000K

BALLUFF

sensors worldwide

