

## Preparation of compressed air → Supplementary products

**Pressure regulator, Series NL1-RGS**

► G 1/8 - G 1/4 ► Qn=1000 l/min ► Activation: mechanical



Mounting orientation	Any
Working pressure min./max.	0.5 bar / 16 bar
Medium	Compressed air
Medium temperature min./max.	-10 °C / +60 °C
Ambient temperature min./max.	-10 °C / +60 °C
Regulator type	Diaphragm-type pressure regulator, Can be assembled into blocks with relieving air exhaust
Regulator function	See table below
Adjustment range min./max.	single
Pressure supply	
Materials:	
Housing	Die cast zinc
Seals	Acrylonitrile Butadiene Rubber

## Technical Remarks

- The pressure dew point must be at least 15 °C under ambient and medium temperature and may not exceed 3 °C.
- Recommended pre-filtering: 5 μm

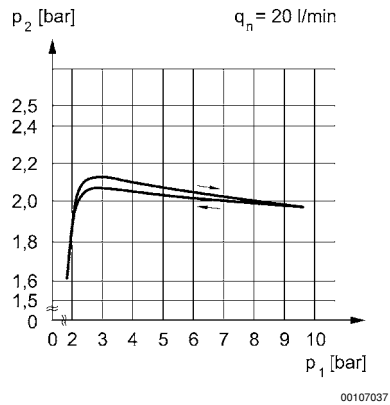
		Port	Qn	Adjustment range		Weight	Part No.
				min. - max..			
			[l/min]	[bar]	[kg]		
		G 1/8	1000	0.1 - 3	0.314	0821302708	
		G 1/8		0.2 - 6		<b>0821302709</b>	
		G 1/8		0.5 - 10		<b>0821302710</b>	
		G 1/4		0.1 - 3		<b>0821302714</b>	
		G 1/4		0.2 - 6		<b>0821302715</b>	
	-	G 1/8	1000	0.1 - 3	0.26	<b>0821302705</b>	
		G 1/8		0.2 - 6		<b>0821302706</b>	
		G 1/8		0.5 - 10		<b>0821302707</b>	
		G 1/4		0.1 - 3		<b>0821302711</b>	
		G 1/4		0.2 - 6		<b>0821302712</b>	
		G 1/4		0.5 - 10		<b>0821302713</b>	

nominal flow Qn with secondary pressure 6 bar at Δp = 1 bar

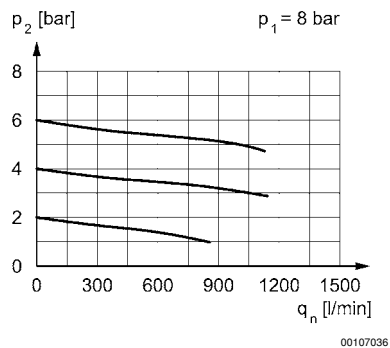
## Supplementary products

Part numbers marked in bold are available from the central warehouse in Germany, see the shopping basket for more detailed information Pneumatics catalog, online PDF, as of 2013-06-22, © Bosch Rexroth Pneumatics GmbH, subject to change

## Preparation of compressed air → Supplementary products

**Pressure regulator, Series NL1-RGS**▶ G 1/8 - G 1/4 ▶  $q_n=1000$  l/min ▶ Activation: mechanical**Pressure characteristics curve**

$p_1$  = Working pressure  
 $p_2$  = Secondary pressure  
 $q_n$  = Nominal flow

**Flow rate characteristic (setting range  $p_2$ : 0.5 - 10 bar)**

$p_1$  = Working pressure  
 $p_2$  = Secondary pressure  
 $q_n$  = Nominal flow

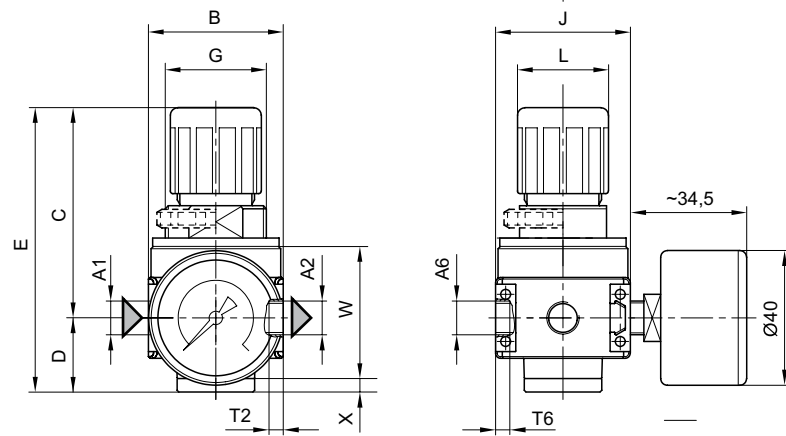
## Supplementary products

Part numbers marked in bold are available from the central warehouse in Germany, see the shopping basket for more detailed information  
 Pneumatics catalog, online PDF, as of 2013-06-22, © Bosch Rexroth Pneumatics GmbH, subject to change

## Preparation of compressed air → Supplementary products

**Pressure regulator, Series NL1-RGS**

▶ G 1/8 - G 1/4 ▶ Qn=1000 l/min ▶ Activation: mechanical

**Dimensions**

00107238\_m

A1	A2	A6	B	C	D	E	G	J	K	L	M	O	R
G 1/8	G 1/8	G 1/8	40	62.5	22	84.5	M30x1,5	40	43.5	27	3	38	5.4
G 1/4	G 1/4	G 1/8	40	62.5	22	84.5	M30x1,5	40	43.5	27	3	38	5.4
A1	T	T2	T6	U	W	X							
G 1/8	8	8	6	18.5	39.5	4							
G 1/4	8	8	6	18.5	39.5	4							

## Supplementary products

Part numbers marked in bold are available from the central warehouse in Germany, see the shopping basket for more detailed information  
 Pneumatics catalog, online PDF, as of 2013-06-22, © Bosch Rexroth Pneumatics GmbH, subject to change